



奔野 20-22 系列拖拉机

BENYE 20-22 TRACTOR

零件图册

PARTS BOOK



中华人民共和国一拖(宁波)联合策拖拉机汽车有限公司

YITUO (NINGBO) JOINT VENTURE TRACTOR & AUTOMOBILE CO., LTD. THE PEOPLE'S REPUBLIC OF CHINA

Preface

Because most parts for Benye ^{#20}/₂₂ series of tractor with various models are the same. So, all parts of the series have been compiled in this edition to be used by users to order spare parts and know the structure and assembly sequence of tractors. The following instructions is to help users to use the book conveniently.

1. Because some parts for different model of tractor are somewhat different. For example, there are three models of front axle assembly, two wheels drive and four wheels drive. Firstly you should find out the location of the part Ser. No. of your tractor in "Parts List of Benye ²⁰/₂₂ Series Tractor" then look up parts you need from the figure.

2. Some parts for several models of tractor are the same and they have been showed in the same figure. Several part drawing numbers for the same part name and Ser. No. are corresponding to different models of tractor indicated in brackets.

3. Some parts may be selected and ordered in case of needs from users.

4. The tractor's model, drawing number and the name of part, and the date of production should be indicated by users in case of ordering spare parts.

5. As improvement is bound to be made from time to time, some drawing may not fully conform to the actual parts supplied. For the modification, please refer to the new edition.

Yituo (Ningbo) C. S. I. Tractor & Automobile Co., Ltd.

2000

前 言

奔野 20₂₂ 系列拖拉机型号较多，各种型号的零部件大多数是通用的，故零件图册合编为一本，供用户在选购零部件及了解拖拉机结构和装配关系时用。为了便于用户查阅，作如下说明：

1、因为有些部件对不同型号的拖拉机是有所不同的。例如前桥总成，有两轮驱动、四轮驱动等型式，它们各不相同但又类似，故首先请按“奔野系列拖拉机部件组成表”查出您的拖拉机型号所对应的部件序号，然后在图上查找您所需要的零件。

2、有些部件除个别零件有区别外，对几种型号拖拉机都通用，我们就共用一张图来表示。若同一序号对应几个代号，则不同型号的拖拉机用不同代号的零件，这些零件的名称后面我们一般都用括号内的文字注明适用的机型。

3、部分零部件是根据用户要求选用的，如用户需要，可以订购。

4、用户在订购配件时，务请说明拖拉机型号、零部件代号、名称及出产日期。

5、由于产品在不断地改进和发展中，本图册中的少数零部件可能会与实物不符，有待再版时修正和补充，敬希用户鉴谅。

一拖(宁波)中策拖拉机汽车有限公司

二〇〇〇年

BY 20/22 系列拖拉机部件组成表

Parts list of BY 20/22 Series Tractor

序号 Ser. No.	名称 Part Name	机型 Model				页数 Page	序号 Ser. No.	名称 Part Name	机型 Model				页数 Page
		BY200	BY220	BY204	BY224				BY200	BY220	BY204	BY224	
1	发动机操纵机构 Engine Control Mechanism	√	√	√	√	1	8	前中央传动(二)(四轮驱动) Front Central Drive (B) (Four wheels drive)			√	√	24
2	离合器总成 Clutch	√	√	√	√	5	9	前末端传动总成(四轮驱动) Front Final Drive Assembly (Four wheels drive)			√	√	27
3	托架及套管 Bracket & Front Axle	√	√			10	10	导向轮 Directive Wheel	√	√			31
								前驱动轮 Front Drive Wheel			√	√	
4	副套管及前轮毂 Front Axle Arm & Front Wheel Hub	√	√			12	11	驱动轮 Driving Wheel	√	√	√	√	33
5	纵横拉杆 Drag Link & Tie Rod	√	√			15	12	传动箱总成 Driving Wheel	√	√	√	√	35
6	纵横拉杆(四轮驱动) Drag Link & Tie Rod (Four where drive)			√	√	18	13	转向器及方向盘总成 Steering Gear & Steering Wheel Assemnbly	√	√	√	√	44
7	前中央传动(一)(四轮驱动) Front Central Drive (A) (Four wheels drive)			√	√	21	14	分动箱传动总成 Transfer Case Drive Shaft Assembly (Four wheel drive)			√	√	47

“√” 部件所对应的机型 The part and its corresponding models of tractor

BY 20/22 系列拖拉机部件组成表

Parts list of BY 20/22 Series Tractor

序号 Ser. No.	名称 Part Name	机 型 Model				页数 Page	序号 Ser. No.	名称 Part Name	机 型 Model				页数 Page
		BY200	BY220	BY204	BY224				BY200	BY220	BY204	BY224	
15	制动器及操纵机构 Brake & Operation Mechanism	√	√	√	√	51	22	油箱及支架 Fuel Tank & Support	√	√	√	√	72
16	驾驶座工具箱总成 Drive Seat & Tool Box Assembly	√	√	√	√	55	23	拖挂机总成 Dawbarr Mechanism Assembly	√	√	√	√	74
17	机罩总成 Engine Hood Assembly	√	√	√	√	58	24	液压油泵及管路总成 Pump & Pipe	√	√	√	√	76
18	挡泥板及踏板动 Mud Shield & Step Plate	√	√			61	25	提升器总成 Hydraulic Power Lift	√	√	√	√	79
19	挡泥板及踏板(四轮驱动) Mud Shield & Step plate (Four wheels drive)			√	√	63	26	悬挂机构总成 Suspension Mechanism Assembly	√	√	√	√	83
20	蓄电池支架(配12V蓄电池) Battery Support (Fixed with 12V battery)	√	√	√	√	65	27	分配器总成 Valve	√	√	√	√	86
21	电器系统 Electrical System	√	√	√	√	67	28	气制动总成 Air Brake Assembly	√	√	√	√	89

“√” 部件所对应的机型 The part and its corresponding models of tractor

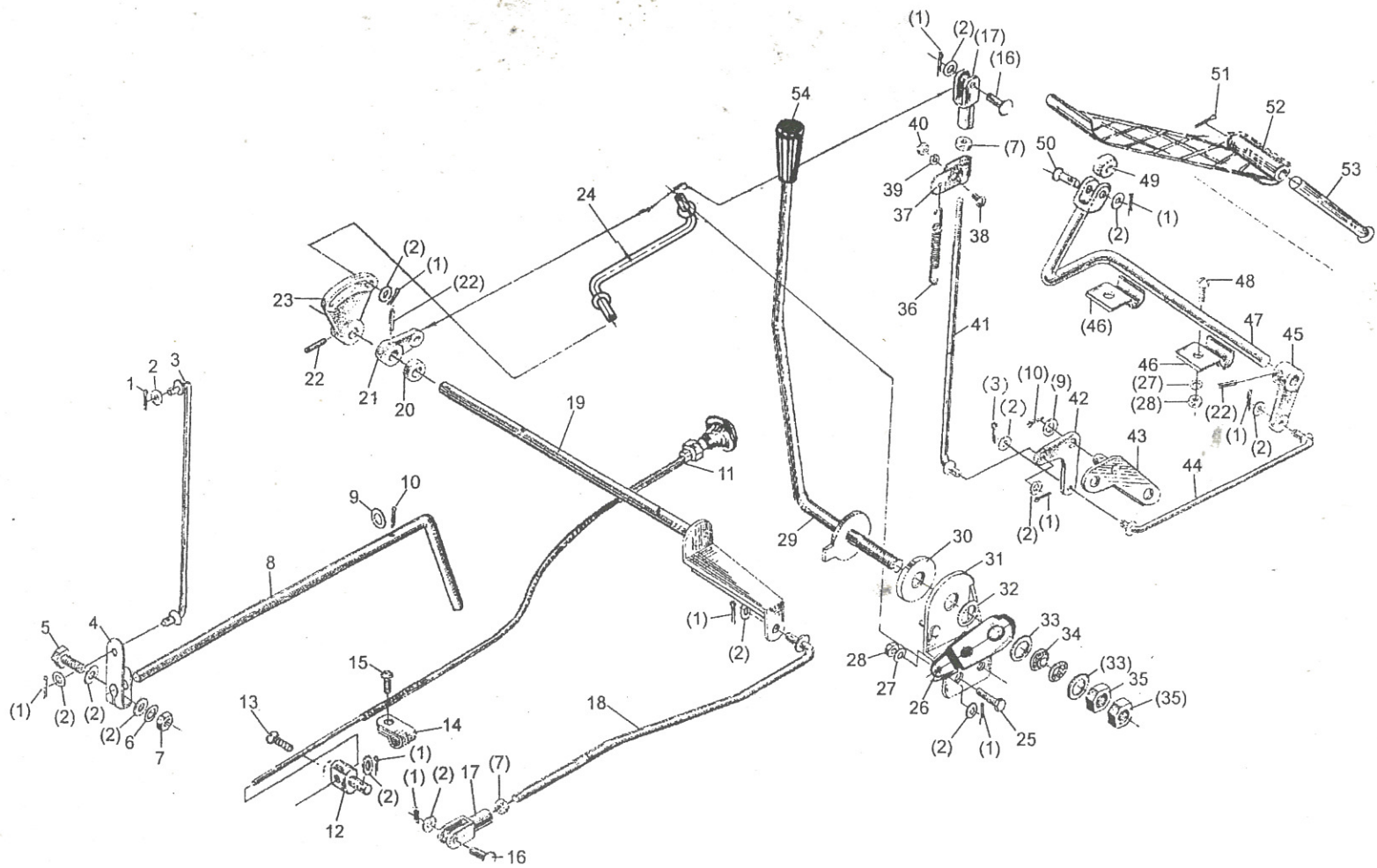


图1. 发动机操纵机构

Fig.1. Engine Control Mechanism

1. 发动机操纵机构

Engine Control Mechanism

序号 Ser. No.	代 号 Part No.		名 称 Name	数 量 Qty.	
	新 New	旧 Old			
1	GB91-86		销 2×12	Splian pan 2×12	13
2	GB95-85		垫圈 6	Plain washer 6	13
3	220-10.20.015		减压拉杆焊接总成	Weldment assembly, decompression pull rod	1
4	220.20.101		夹臂	Clamping arm	1
5	GB5780-86		螺栓 M6×35	Bolt M6×35	1
6	GB93-87		垫圈 6	Spring lock washer 6	1
7	GB41-86		螺母 M6	Nut M6	3
8	220.20.105		减压手柄	Decompression handle	1
9	GB95-85		垫圈 10	Plain washer 10	2
10	GB91-86		销 2×16	Splian pin 2×16	2
11	220.20.017		熄火拉杆总成	Shutdown pull rod assembly	1
12	220.20.102		固定销	Steadfast splian pin	1
13	GB67-85		螺钉 M15×10	Screw M5×10	1
14	220.20.104		固定夹	Steadfast clamp	1
15	GB67-85		螺钉 M6×10	Screw M6×10	1
16	GB882-86		销轴 B6 × 20	Clevis pin with head B6 × 20	9
17	250.20.117		联接叉	Connecting fork	2
18	220.20.016		纵拉杆焊接总成	Veldment pull rog weldment assembly	1
	220.20S.013		纵拉杆焊接总成	Vertical pull rog weldment assembly	1
19	220.20.012		手油门传动轴总成	Transmission shaft assembly, hand throttle	1

续1. 发动机操纵机构

Cont. Engine Control Mechanism

序号 Ser. No.	代 号 Part No.		名 称 Name	数 量 Qty.
	新 New	旧 Old		
19	220.20S.012		手油门传动轴总成 Transmission shaft assembly, hand throttle	1
20	220.20.103		间隔套 Spacing sleeve	1
	220.20S.102		间隔套 Spacing sleeve	1
21	250.20.105	18.20.105	脚油门连臂 Connecting arm, foot throttle	1
22	GB879-86		销 4×20 Splian pin 4×20	3
23	250.20.106	24.20.106	扇形摇臂 Sector rock arm	1
24	220.20.014		短拉杆焊接总成 Short pull rog weldment assembly	1
25	GB5781-85		螺栓 M8×25 Bolt M8×25	2
26	220.20.019		摆臂总成 Balance arm assembly	1
27	GB93-87		垫圈 8 Spring lock washer 8	3
28	GB41-86		螺母 M8 Nut M8	3
29	220.20.011		手柄总成 Handle assembly	1
30	284-2.20.103	254AY.20.103	磨擦片 Friction disk	1
31	220.20.013		托板总成 Supporting plate assembly	1
32	284-2.20.152	254AY.20.152	垫圈 Washer	1
33	GB96-85		垫圈 10-140HV Plain washer 10-140HV	2
34	GB1972-80		碟形弹簧 A2 22.5×11.2 Dishing spring A2 22.5×11.2	
	(284-2.20.155)	(254AY.20.155)	×1.25×1.75 ×1.25×1.75	2
35	GB6170-86		螺母 M10 Nut M10	
36	250.20.119	24.20.119	回位弹簧 Return spring	2
37	250.20.104	18.20.104	夹子 Clamp	1
				1

续1. 发动机操纵机构

Cont. Engine Control Mechanism

序号 Ser. No.	代 号 Part No.		名 称 Name	数 量 Qty.
	新 New	旧 Old		
38	GB818-85		螺钉 M4×10	1
39	GB93-87		垫圈 4	1
40	GB6170-86		螺母 M4	2
41	220.20.020		脚油门纵拉杆总成	1
42	250.20.114	18.20.114	脚油门L形摇臂	1
43	220.20.022		定位板焊接总成	1
44	220.20.021		脚油门横拉杆总成	1
45	250.20.112	18.20.112	脚油门摇臂	1
46	250.20.110	18.20.110	半圆轴座	2
47	220.20.018		脚油门传动轴总成	1
48	GB818-85		螺钉 M8×16	1
49	250.20.140	24.20.140A	滚轮	1
50	GB882-86		销轴 B6×22	2
51	GB91-86		销 3.2×16	2
52	220.20.023		油门踏板焊接总成	1
53	250.20.143	24.20.143A	销轴(B10×95 GB882-786)	1
54	284.2.20.156	254AY.20.156	手柄套	1

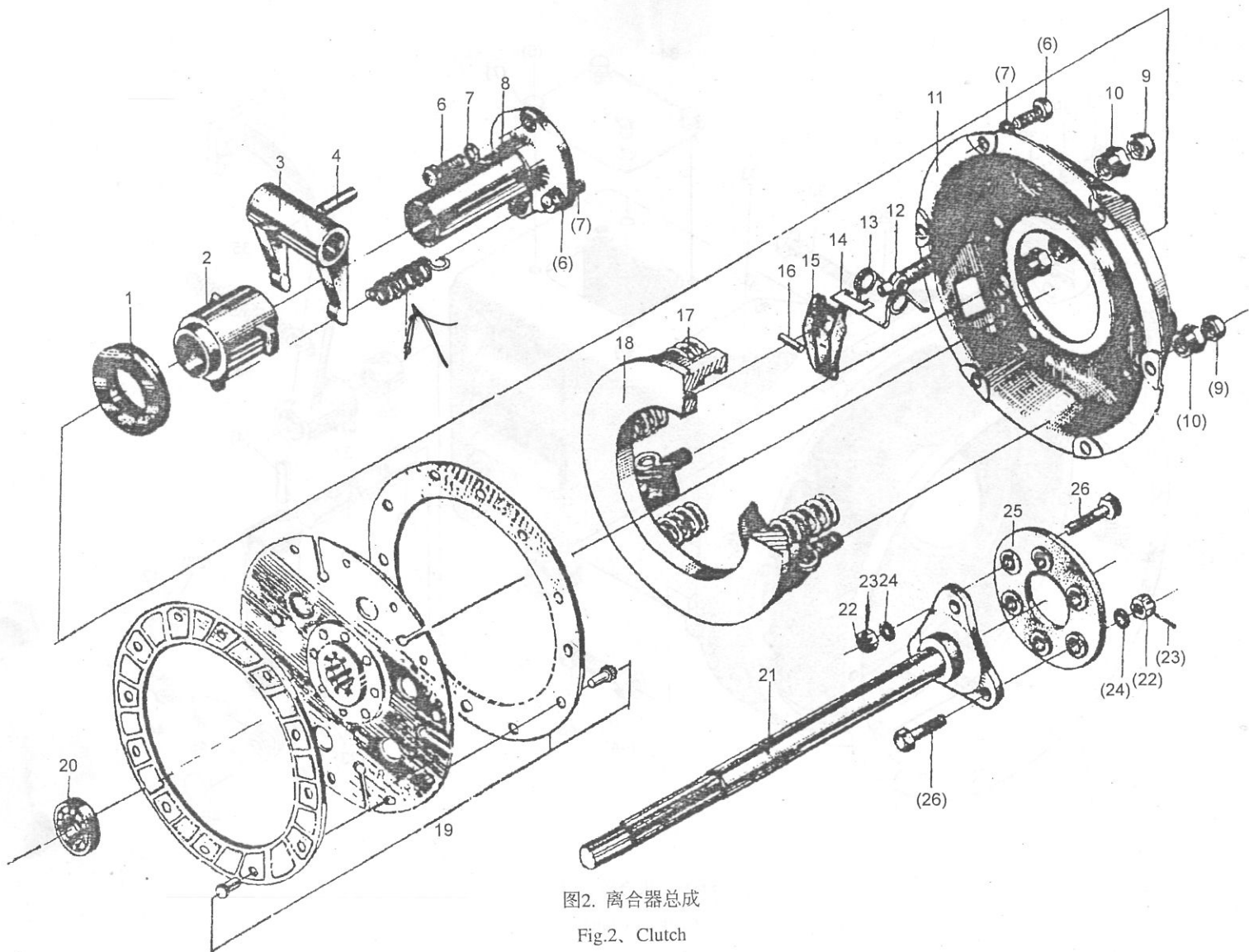
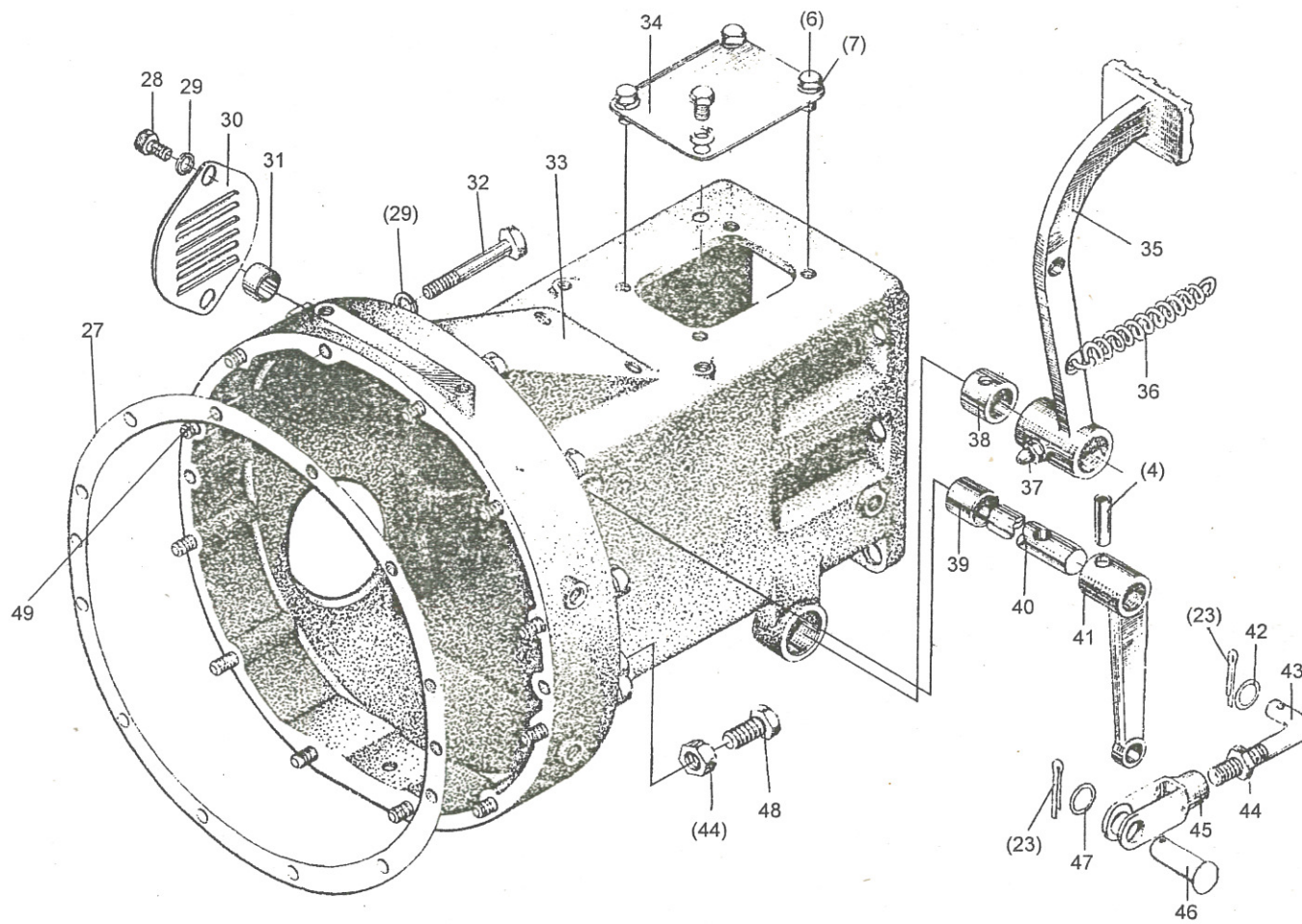


图2. 离合器总成

Fig.2. Clutch



续图2. 离合器总成

Cont.2. Clutch

2. 离合器总成
Clutch

序号 Ser. No.	代号 Part No.		名称 Name	数量 Qty.	
	新 New	旧 Old			
1	非标准		轴承688808	Bearing 688808	1
2	250.21.130	24.21.130	分离轴承座	Release bearing holder	1
3	150.21.101		离合器拨叉	Fork	1
4	GB879-86		销 8×32	Pin 8×32	2
5	250.21.104	18.21.104	分离轴承座弹簧	Spring	1
6	GB5783-86		螺栓 M8×20	Bolt M8×18	13
7	GB93-87		垫圈 8	Washer 8	13
8	150.21.103		分离轴承座支架	Support	1
9	GB6176-86		螺母 M8×1	Nut M8×1	3
10	150.21.126		离合器分离拉杆调整螺母	Adjusting nut	3
11	150.21.125		离合器盖	Cover	1
12	150.21.127		离合器分离拉杆	Release rod	3
13	150.21.130		离合器分离杠杆弹簧	Spring	3
14	150.21.124		离合器分离杠杆卡铁	Clip	3
15	150.21.128		离合器分离杠杆	Release lever	3
16	GB119-86		销 B6×24	Pin B6×24	3
17	220.21.207		离合器弹簧	Spring	6
18	150.21.123		离合器压盘	Pressure plate	1
19	220.21.016		离合器从动盘总成	Driven disk	1
20	GB278-89		轴承 60203	Bearing 60203	1
21	150.21.023		离合器轴焊接总成	Clutch shaft	1
22	GB6181-86		螺母 M10	Nut M10	6
23	GB91-86		销 2.5×20	Pin 2.5×20	8

续2. 离合器总成
Cont. Clutch

序号 Ser. No.	代 号 Part No.		名 称 Name	数 量 Qty.	
	新 New	旧 Old			
24	GB95-85		垫圈 10	Washer 10	6
25	150.21.204		联轴节	Coupling joint	1
26	GB23-76		螺栓 M10×35	Bolt M10×35	6
27	180.21.203		离合器壳纸垫	Gasket	1
28	GB5783-86		螺栓 M10×20	Bolt M10×20	2
29	GB93-87		垫圈 10	Washer 10	14.
30	150.21.111		检查孔盖	Cover	1
31	150.21.119		离合器拨叉轴右衬套	Right bush	1
32	GB5782-86		螺栓 M10×85	Bolt M10×85	11
33	180.21.201		离合器壳	Clutch case	1
34	150.21.205		盖板	Cover	1
35	150.21.136		离合器踏板	Clutch pedal	1
36	150.21.105		离合器踏板弹簧	Spring	1
37	GB1152-79		油杯 M10×1	Grease M10×1	3
38	150.21.118		离合器踏板轴衬套	Bush	2
39	150.21.120		离合器拨叉轴左衬套	Left bush	1
40	150.21.102		离合器拨叉轴	Shaft	1
41	150.21.108		离合器分离摇臂	Release rod	1
42	GB97.1-85		垫圈 10-140HV	Washer 10-140HV	1
43	150.21.106		离合器推杆	Push rod	1
44	GB1007-79		螺母 M10	Nut M10	2
45	150.21.107		离合器推杆调整叉	Yoke	1
46	GB882-86		销轴 B8×30	Axis pin B8×30	1

续2. 离合器总成
Cont. Clutch

序号 Ser. No.	代 号 Part No.		名 称 Name	数 量 Qty.
	新 New	旧 Old		
47	GB97.1-85		垫圈 8-140HV Washer 8-140HV	1
48	GB5782-86		螺栓 M10×45 Bolt M10×45	1
49	GB5782-86		螺栓 M10×75 Bolt M10×75	1

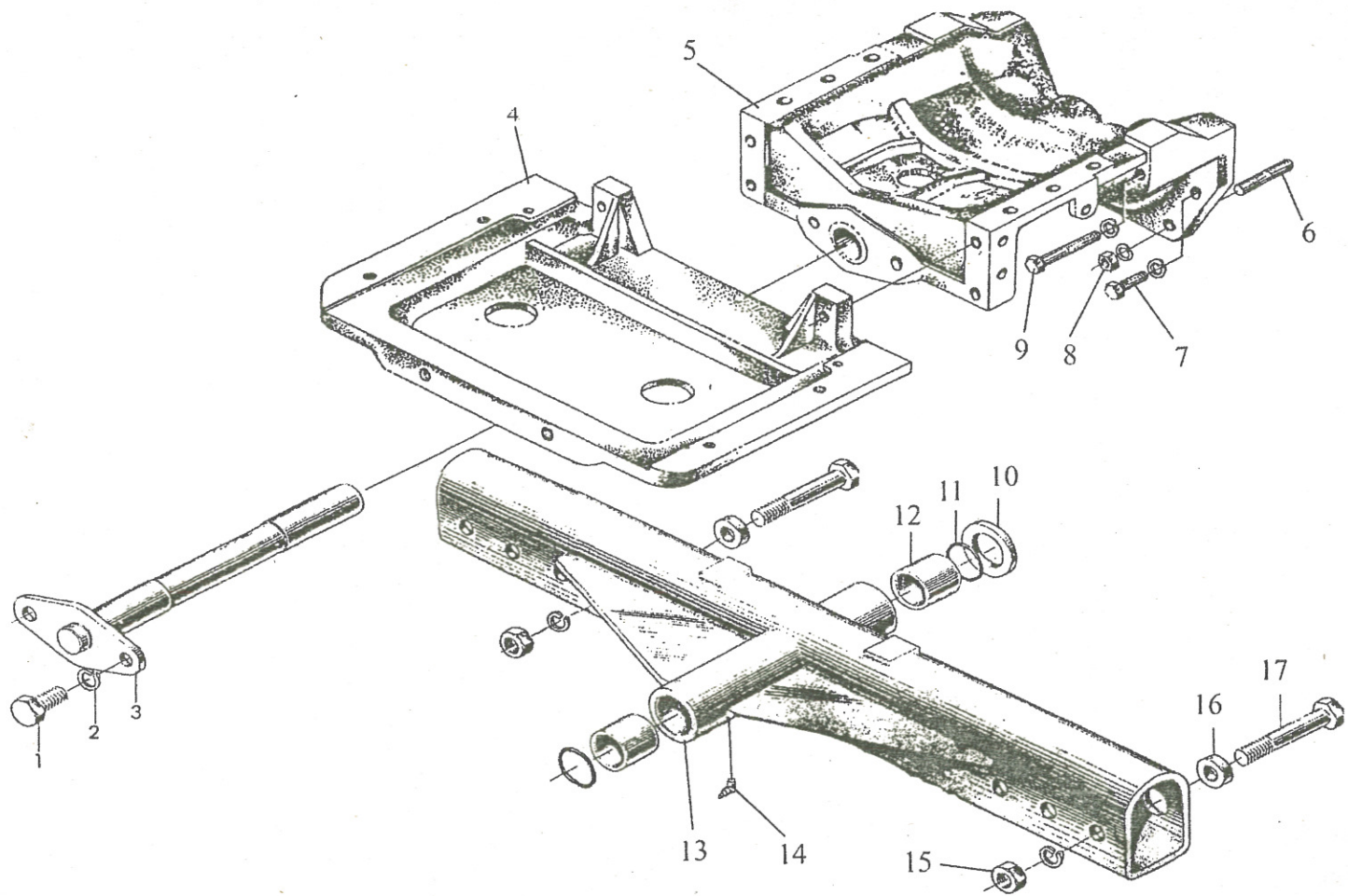


图3. 托架及套管

Fig.3. Bracket & Front Axle

3. 托架及套管

Bracket & Front Axle

序号 Ser. No.	代 号 Part No.		名 称 Name	数 量 Qty.	
	新 New	旧 Old			
1	GB5786-86		螺栓 M14×1.5×30	Bolt M14×1.5×30	2
2	GB93-87		垫圈 14	Spring lock washer 14	18
3	250.31.015	24.31.015A	摆轴焊接总成	Pendulum shaft weldment assembly	1
4	220.31.111		前支座	Front support	1
5	220.31.101		托架	Bracket	1
6	GB898-88		螺柱 GM14×45-8.8-Zn·D	Stud GM14×45-8.8-Zn·D	2
7	GB5782-86		螺栓 M14×45	Bolt M14×45	6
8	GB6175-86		螺母 M14	Nut M14	2
9	GB5782-86		螺栓 M14×115	Bolt M14×115	2
10	250.31.109	18.31.109	垫片	Washer	1
11	GB1235-76		O形圈 36×3.5	O-ring 36×3.5	2
12	250.31.118	18.31.118	衬套	Bush	2
13	250.31.020	24.31.020B	套管焊接总成	Sleeve weldment assembly	1
14	GB1153-89		油杯 M10×1	Oil cup M10×1	1
15	GB6173-86		螺母 M14×1.5	Nut M14×1.5	6
16	250.31.171	24.31.171B	垫套	Liner	6
17	GB5785-86		螺栓 M14×1.5×85	Bolt M14×1.5×85	6

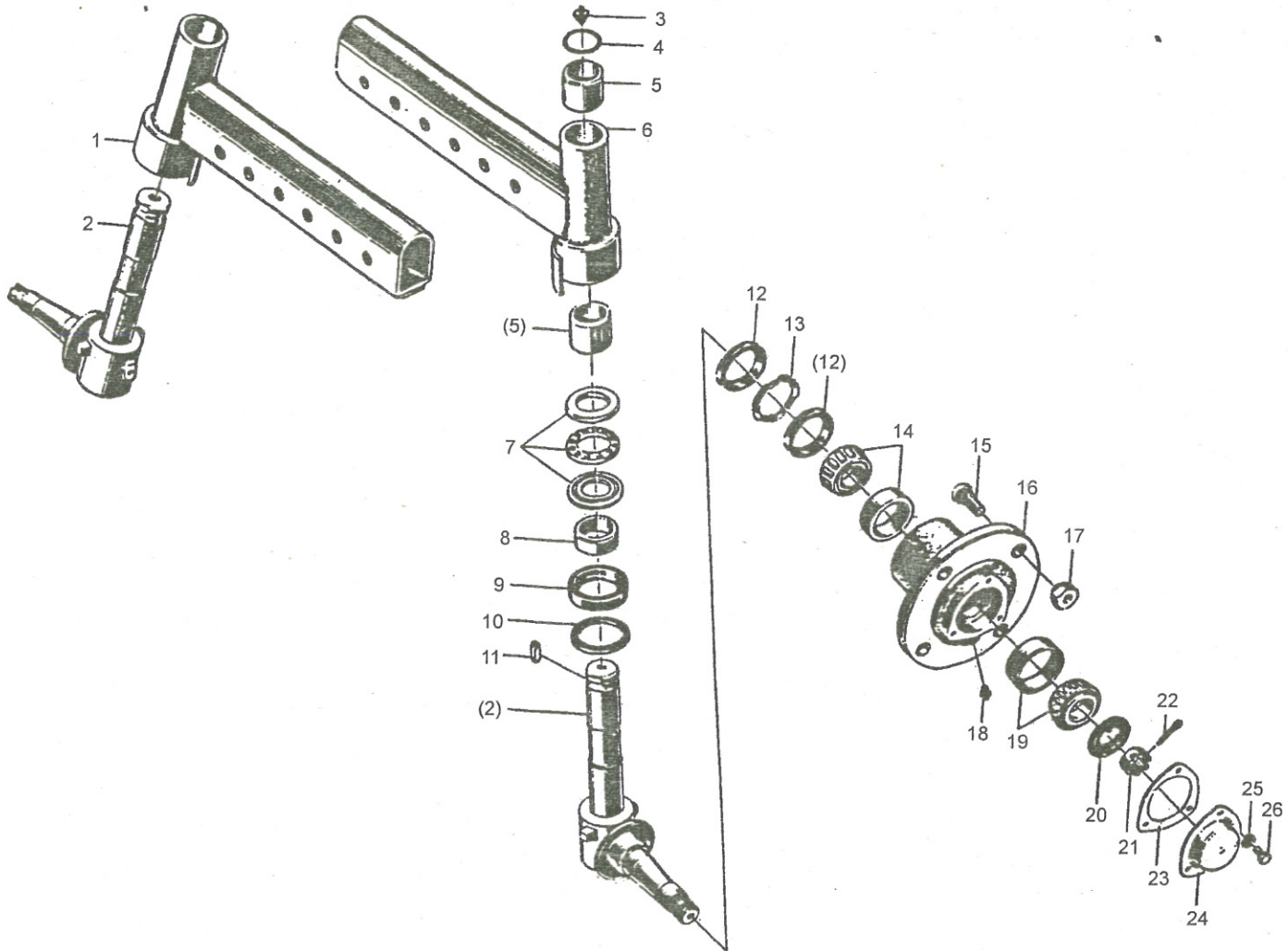


图4. 副套管及前轮毂

Fig.4. Front Axle Arm & Front Wheel Hub

4. 副套管及前轮毂

Front Axle Arm & Front Wheel Hub

序号 Ser. No.	代号 Part No.		名称 Name	数量 Qty.	
	新 New	旧 Old			
1	250.21.022	24.31.022B	副套管焊接总成(右)	Front axle arm weldment assembly(Right)	1
2	250.31.014	24.31.014B	转向节总成	Steering knuckle assembly	1
3	GB1152-89		油杯 M10×1	Oil cup M10×1	2
4	GB1235-76		O形圈 42×3.5	O-ring 42×3.5	2
5	250.31.165	24.31.165	衬管	Bush	4
6	250.31.021	24.31.021B	副套管焊接总成(左)	Front axle arm weldment assembly(Left)	1
7	GB301-84		滚动轴承 8207	Rolling bearing 8207	2
8	250.31.162	24.31.162	肩套	Shoulder sleeve	2
9	JB2600-80		油封 PD45×65×10	Oil seal PD45×65×10	2
10	250.31.114	24.31.114	橡胶油封	Rubber oil seal	2
11	GB1096-79		键 10×25	Key 10×25	2
12	250.31.181		油封 40×64×8	Oil seal 40×64×8	4
13	250.31.112	18.31.112	油封隔离圈	Spacing ring, oil seal	2
14	GB297-84		滚动轴承 7506E	Rolling bearing 7506E	2
15	250.39.113	18.39.113	车轮固定螺钉	Wheel fixing screw	8
16	250.31.105	24.31.105B	前轮毂	Front wheel hub	2
17	250.39.114	18.39.114	车轮固定螺母	Wheel fixing nut	8
18	GB1152-89		油杯 M6	Oil cup M6	2
19	GB297-84		滚动轴承 7305E	Rolling bearing 7305E	2
20	250.31.161	24.31.161A	垫圈	Washer	2
21	GB59-76		螺母 M22×1.5	Nut M22×1.5	2
22	GB91-86		销 5×40	Split pin 5×40	2
23	250.31.113	24.31.113A	纸垫	Paper gasket	2

续4. 副套管及前轮毂

Cont. Front Axle Arm & Front Wheel Hub

序号 Ser. No.	代 号 Part No.		名 称 Name	数 量 Qty.	
	新 New	旧 Old			
24	250.31.106	24.31.106A	轴承盖	Bearing cap	2
25	GB93-87		垫圈 6	Spring lock washer 6	6
26	GB5781-86		螺栓 M6 × 12	Bolt M6×12	6

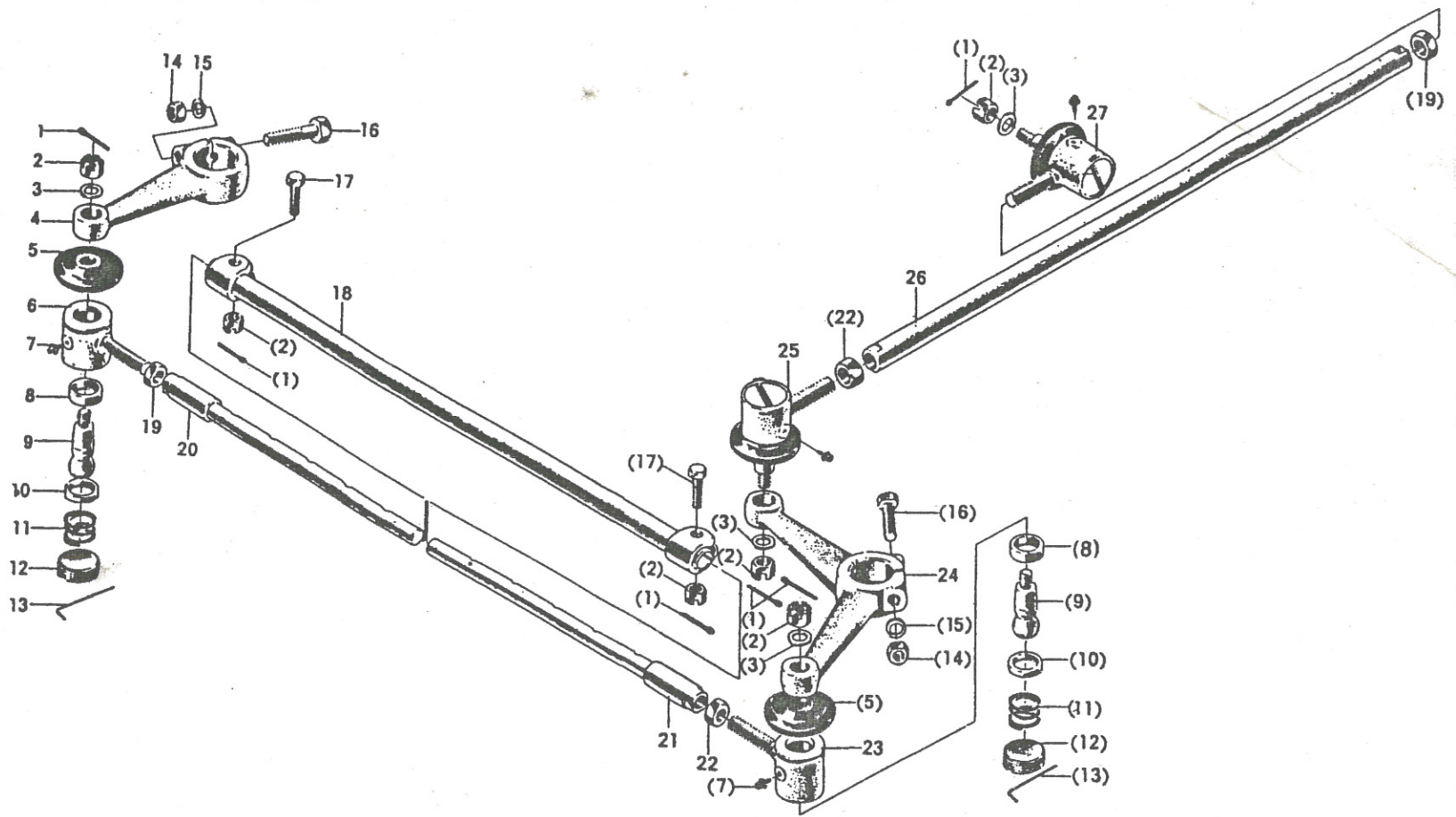


图5. 纵横拉杆

Fig.5. Drag Link & Tie Rod

5. 纵横拉杆

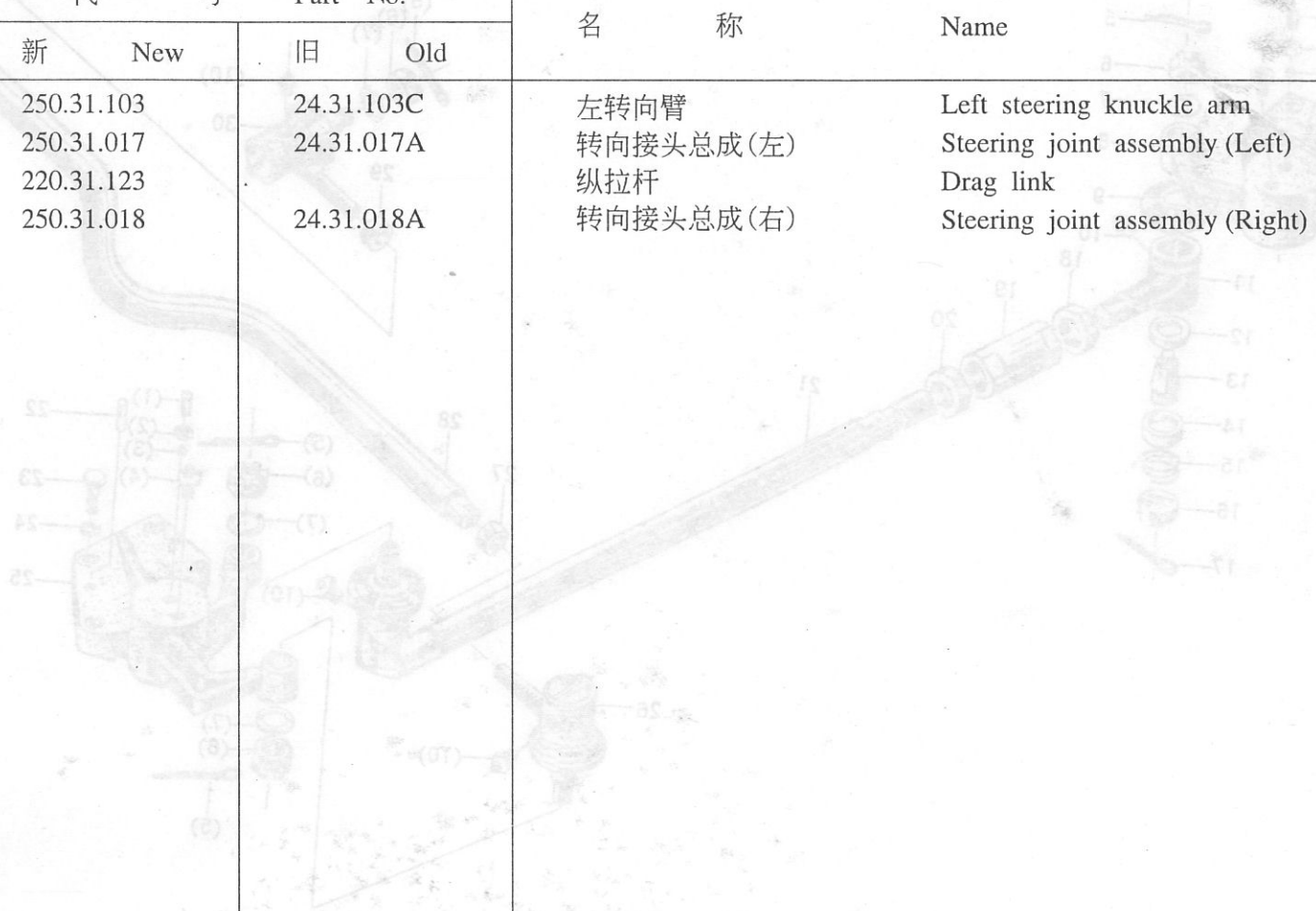
Drag Link & Tie Rod

序号 Ser. No.	代 号 Part No.		名 称 Name	数 量 Qty.
	新 New	旧 Old		
1	GB91-86		销 3.2 × 22	6
2	GB6181-86		螺母 M12	6
3	GB95-76		垫圈 12	4
4	250.31.104	24.31.104B	右转向臂	1
5	250.31.130	24.31.130A	接头油封套	2
6	350.31.132	24.31.132A	横拉杆接头(右)	1
7	GB1152-89		油杯 M6	2
8	250.31.126	24.31.126A	球头销座	2
9	250.31.125	24.31.125A	球头销	2
10	250.31.127	24.31.127A	球头销盖	2
11	250.31.128	24.31.128A	压紧弹簧	2
12	250.31.129	24.31.129A	螺旋盖	2
13	GB91-86		销 2.5 × 50	2
14	GB41-86		螺母 M12	2
15	GB93-87		垫圈 12	2
16	GB5782-86		螺栓 M12 × 70	2
17	GB31.1-88		螺栓 M12 × 40	2
18	250.31.023	24.31.023A	主横拉杆总成	1
19	GB6171-86		螺母 M16 × 1.5	2
20	250.31.024	24.31.024A	副横拉杆总成(右)	1
21	250.31.025	24.31.025A	副横拉杆总成(左)	1
22	GB6171-86		螺母 M16 × 1.5(左)	2
23	250.31.131	24.31.131A	拉杆接头(左)	1

续5. 纵横拉杆

Cont. Drag Link & Tie Rod

序号 Ser. No.	代号 Part No.		名称 Name	数量 Qty.
	新 New	旧 Old		
24	250.31.103	24.31.103C	左转向臂 Left steering knuckle arm	1
25	250.31.017	24.31.017A	转向接头总成(左) Steering joint assembly (Left)	1
26	220.31.123		纵拉杆 Drag link	1
27	250.31.018	24.31.018A	转向接头总成(右) Steering joint assembly (Right)	1



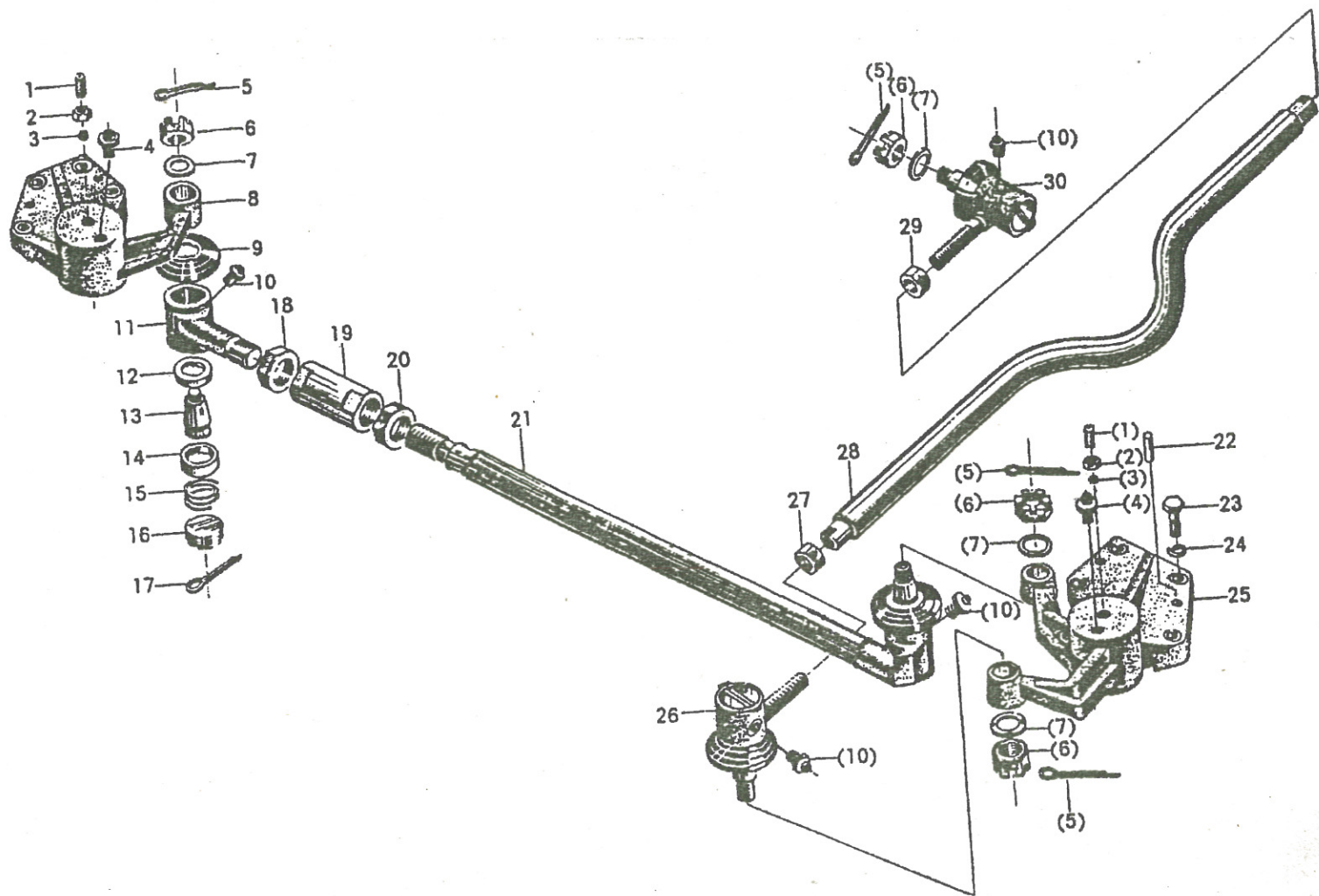


图6. 纵横拉杆(四轮驱动)

Fig.6. Drag Link & Tie Rod(Four wheels drive)

6. 纵横拉杆 (四轮驱动)

Drag Link & Tie Rod (Four wheels drive)

序号 Ser. No.	代 号 Part No.		名 称 Name	数 量 Qty.
	新 New	旧 Old		
1	254.31.219	24S.31.219	紧定螺钉	2
2	GB6171-86		螺母 M10 × 1	2
3	GB308-89		钢球 8.7312G200b	2
4	GB1152-89		油杯 M10 × 1	2
5	GB91-86		销 3.2 × 26	4
6	GB59-76		螺母 M12	4
7	GB95-85		垫圈 12	4
8	254.31.186	24S.31.186-2	右转向臂	1
9	250.31.130	24.31.130A	接头油封套	2
10	GB1152-89		油杯 M6	4
11	254.31.192	24S.31.192	横拉杆接头(右)	1
12	250.31.126	24.31.126A	球头销座	2
13	250.31.125	24.31.125A	球头销	2
14	250.31.127	24.31.127A	球头销盖	2
15	250.31.128	24.31.128A	压紧弹簧	2
16	250.31.129	24.31.129A	螺旋盖	2
17	GB91-86		销 2.5 × 50	2
18	GB1007-76		螺母 M24 × 1.5	1
19	254.31.196	24S.31.196	横拉杆连接套	1
20	GB1007-76		螺母 M24 × 1.5(左)	1
21	254.31.023	24S.31.023	横拉杆焊合	1
22	GB119-86		销 A8 × 20	4
23	GB5781-86		螺栓 M12 × 30	8

续6. 纵横拉杆 (四轮驱动)

Cont. Drag Link & Tie Rod (Four wheels drive)

序号 Ser. No.	代 号 Part No.		名 称 Name	数 量 Qty.	
	新 New	旧 Old			
24	GB93-87		垫圈 12	Spring lock washer 12	8
25	254.31.155		左转向臂	Left steering knuckle arm	1
26	250.31.017	24.31.017A	转向接头总成(左)	Steering joint assembly (Left)	1
27	GB6171-86		螺母 M16 × 1.5(左)	Nut M16 × 1.5 (Left)	1
28	254.31.024		纵拉杆焊合	Drag link weldment	1
29	GB6171-86		螺母 M16 × 1.5	Nut M16 × 1.5	1
30	250.31.018	24.31.018A	转向接头总成(右)	Steering joint assembly (Right)	1

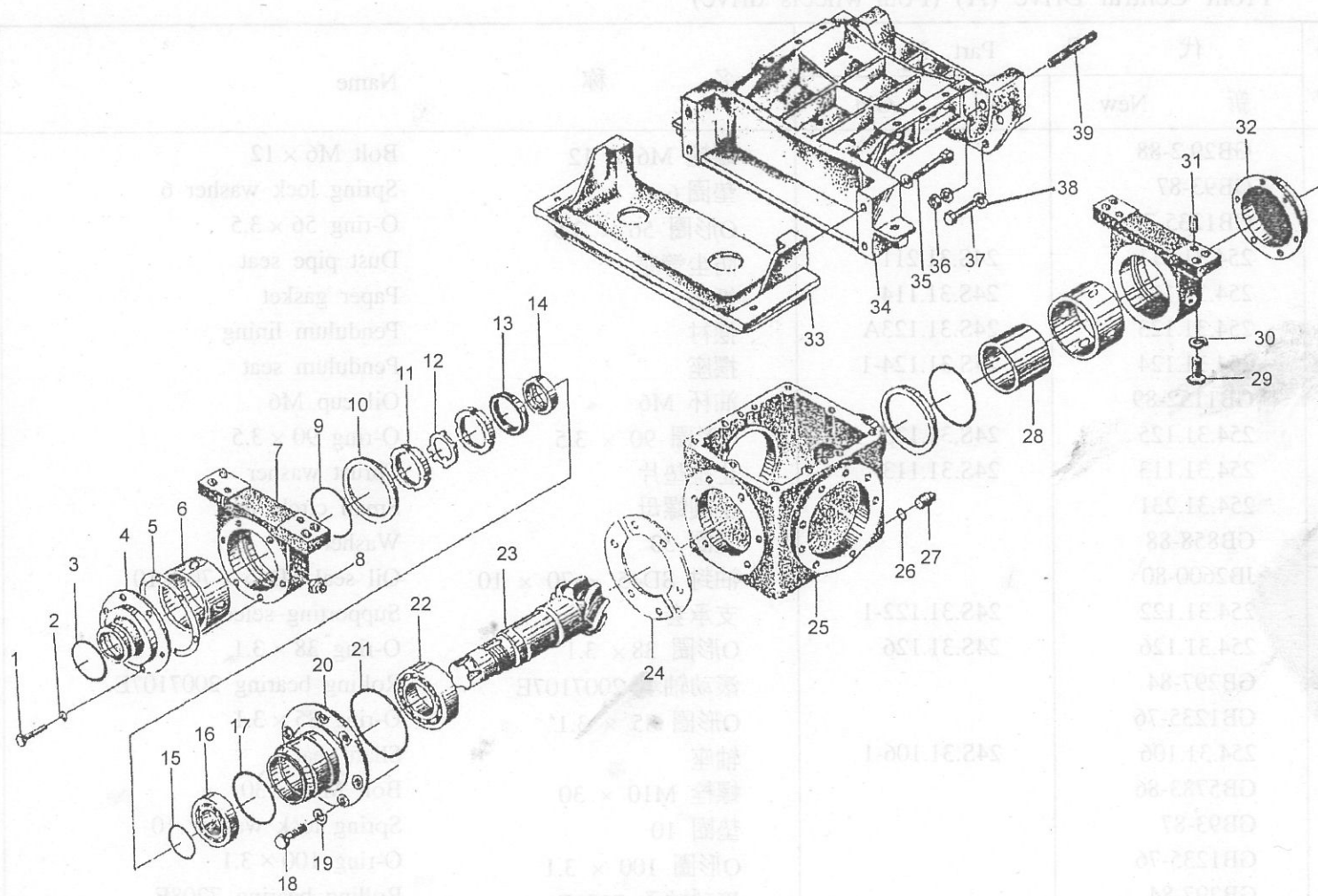


图7. 前中央传动(一) (四轮驱动)

Fig.7. Front Central Drive(A) (Four wheels drive)

7. 前中央传动(一) (四轮驱动)

Front Central Drive (A) (Four wheels drive)

序号 Ser. No.	代号 Part No.		名称 Name	数量 Qty.	
	新 New	旧 Old			
1	GB29.2-88		螺栓 M6 × 12	Bolt M6 × 12	12
2	GB93-87		垫圈 6	Spring lock washer 6	12
3	GB1235-76		O形圈 56 × 3.5	O-ring 56 × 3.5	1
4	254.31.211	24S.31.211	防尘管座	Dust pipe seat	1
5	254.31.114	24S.31.114	纸垫	Paper gasket	2
6	254.31.123	24S.31.123A	摆衬	Pendulum lining	2
7	254.31.124	24S.31.124-1	摆座	Pendulum seat	2
8	GB1152-89		油杯 M6	Oil cup M6	2
9	254.31.125	24S.31.125	O形圈 90 × 3.5	O-ring 90 × 3.5	2
10	254.31.113	24S.31.113	止推垫片	Thrust washer	2
11	254.31.231		小圆螺母	Small circle nut	2
12	GB858-88		垫圈 33	Washer 33	1
13	JB2600-80		油封 SD45 × 70 × 10	Oil seal SD45 × 70 × 10	1
14	254.31.122	24S.31.122-1	支承套	Supporting seleeve	1
15	254.31.126	24S.31.126	O形圈 38 × 3.1	O-ring 38 × 3.1	2
16	GB297-84		滚动轴承 2007107E	Rolling bearing 2007107E	1
17	GB1235-76		O形圈 85 × 3.1	O-ring 85 × 3.1	1
18	254.31.106	24S.31.106-1	轴座	Shaft seat	1
19	GB5783-86		螺栓 M10 × 30	Bolt M10 × 30	6
20	GB93-87		垫圈 10	Spring lock washer 10	6
21	GB1235-76		O形圈 100 × 3.1	O-ring 100 × 3.1	1
22	GB297-84		滚动轴承 7208E	Rolling bearing 7208E	1
23	254.31.117	24S.31.117-1	主动齿轮	Driving gear	1

续7. 前中央传动(一) (四轮驱动)

Cont. Front Central Drive (A) (Four wheels drive)

序号 Ser. No.	代号 Part No.		名称 Name	数量 Qty.
	新 New	旧 Old		
24	254.31.112	24S.31.112	调整垫片	△
25	254.31.104	24S.31.104	前箱	1
26	GB1235-76		O形圈 16 × 2.4	1
27	254.31.152	24S.31.152-2	螺塞	1
28	254.31.220	24S.31.220	衬套	1
29	GB5783-86		螺栓 M12 × 30	8
30	GB93-87		垫圈 12	8
31	GB119-86		销 D8 × 16	4
32	254.31.111	24S.31.111	防尘盖	1
33	224.31.111		前支架	1
34	224.31.101		托架	1
35	GB5782-86		螺栓 M14 × 70	4
36	GB6175-86		螺母 M14	2
37	GB5782-86		螺栓 M16 × 45	4
38	GB93-87		垫圈 14	10
39	GB898-88		螺柱 GM14×115-8.8-Zn-D	2

△ 适量 Just right amount

Continental Central Drive (A) (Four wheel drive)
 大陆中央传动(一) (四轮驱动)

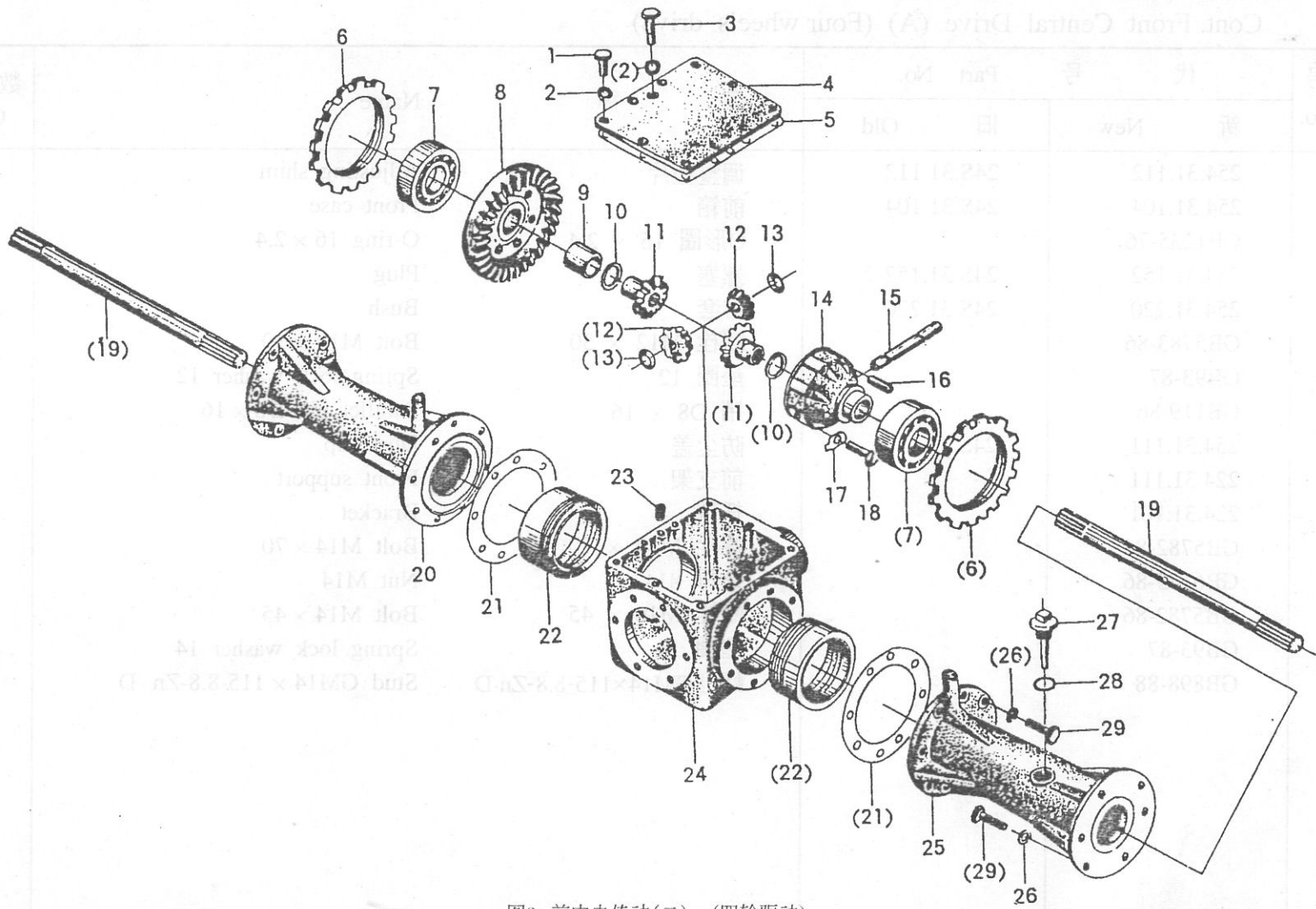


图8. 前中央传动(二) (四轮驱动)
 Fig.8. Front Central Drive(B) (Four wheels drive)

8. 前中央传动(二) (四轮驱动)

Front Central Drive (B) (Four wheels drive)

序号 Ser. No.	代 号 Part No.		名 称	Name	数 量 Qty.
	新 New	旧 Old			
1	GB5781-86		螺栓 M8 × 20	Bolt M8 × 20	10
2	GB93-87		垫圈 8	Spring lock washer 8	12
3	254.31.138	24S.31.138	限位螺钉	Limit screw	2
4	254.31.130	24S.31.130-1	箱盖	Case cover	1
5	254.31.131	24S.31.131	纸垫	Paper gasket	1
6	254.31.109	24S.31.109	调整螺母	Adjusting nut	2
7	GB297-84		滚动轴承 7211E	Rolling bearing 7211E	2
8	254.31.118	24S.31.118	从动齿轮	Driven gear	1
9	254.31.119	24S.31.119	衬套	Bush	1
10	254.31.120	24S.31.120	平垫片	Plain washer	2
11	254.31.103	24S.31.103	半轴齿轮	Differential side gear	2
12	254.31.102	24S.31.102	行星齿轮	Planet gear	2
13	254.31.121	24S.31.121	球垫片	Spherical washer	2
14	254.31.107	24S.31.107	差速罩	Differential cover	1
15	254.31.116	24S.31.116	行星齿轮轴	Planet gear-shaft	1
16	GB879-86		销 6 × 30	Pin 6 × 30	1
17	GB861.1-87		内齿锁紧垫圈 10	Internal tooth lock washer 10	6
18	GB5785-86		螺栓 M10 × 1 × 80	Bolt M10 × 1 × 80	6
19	254.31.108	24S.31.108	半轴	Differential shaft	2
20	254.31.105	24S.31.105-1	半轴壳	Differential shaft housing	1
21	254.31.115	24S.31.115	纸垫	Paper gasket	2
22	254.31.110	24S.31.110	轴承座	Bearing seat	2
23	GB72-88		螺钉 M8 × 22	Screw M8 × 22	2

续8. 前中央传动(二) (四轮驱动)

Cont. Front Central Drive (B) (Four wheels drive)

序号 Ser. No.	代号 Part No.		名称 Name	数量 Qty.
	新 New	旧 Old		
24	254.31.104	24S.31.104	前箱 Front case	1
25	254.31.105	24S.31.105-1	半轴壳(右) Differential shaft housing(Right)	1
26	GB93-87		垫圈 10 Spring lock washer 10	28
27	254.31.017	24S.31.017	油尺总成 Dipstick assembly	1
28	GB1235-76		O形密封圈 30 × 3.1 O-ring 30 × 3.1	1
29	GB5783-86		螺栓 M10 × 30 Bolt M10 × 30	28

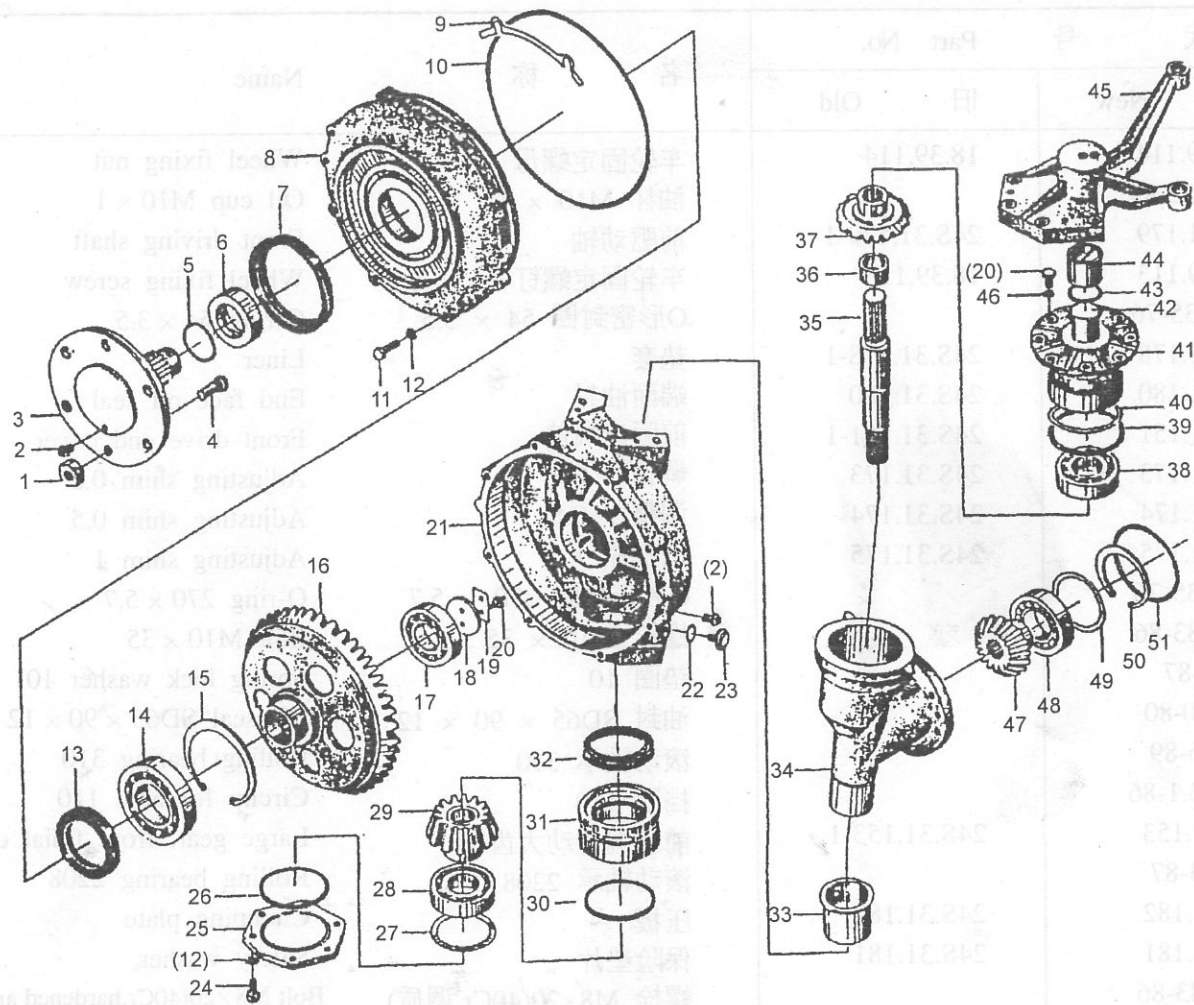


图9. 前末端传动总成(四轮驱动)

Fig.9. Front Final Drive Assembly (Four wheels drive)

9. 前末端传动总成 (四轮驱动)

Front Final Drive Assembly (Four wheels drive)

序号 Ser. No.	代号 Part No.		名称 Name	数量 Qty.	
	新 New	旧 Old			
1	250.39.114	18.39.114	车轮固定螺母	Wheel fixing nut	12
2	GB1152-89		油杯 M10 × 1	Oil cup M10 × 1	6
3	254.31.179	24S.31.179-1	前驱动轴	Front driving shaft	2
4	250.39.113	18.39.113	车轮固定螺钉	Wheel fixing screw	12
5	GB1235-76		O形密封圈 54 × 3.5	O-ring 54 × 3.5	2
6	254.31.178	24S.31.178-1	垫套	Liner	2
7	254.31.180	24S.31.180	端面油封	End face oil seal	2
8	254.31.151	24S.31.151-1	前驱动端盖	Front drive end cover	2
9	254.31.173	24S.31.173	调整片 0.2	Adjusting shim 0.2	△
	254.31.174	24S.31.174	调整片 0.5	Adjusting shim 0.5	△
	254.31.175	24S.31.175	调整片 1	Adjusting shim 1	△
10	GB1235-76		O形密封圈 270 × 5.7	O-ring 270 × 5.7	2
11	GB5783-86		螺栓 M10 × 35	Bolt M10 × 35	16
12	GB93-87		垫圈 10	Spring lock washer 10	28
13	JB2600-80		油封 SD65 × 90 × 12	Oil seal SD65 × 90 × 12	2
14	GB276-89		滚动轴承 310	Rolling bearing 310	2
15	GB893.1-86		挡圈 110	Circlip for hole 110	2
16	254.31.153	24S.31.153-1	前末端传动大齿轮	Large gear, front finial drive	2
17	GB283-87		滚动轴承 2208	Rolling bearing 2208	2
18	254.31.182	24S.31.182	压板	Clamping plate	2
19	254.31.181	24S.31.181	保险垫片	Safety washer	2
20	GB5783-86		螺栓 M8×20(40Cr,调质)	Bolt M8×20(40Cr,hardened and tempered)	20
21	254.31.154	24S.31.154-2	前末端传动壳体	Front finial drive housing	2

续9. 前末端传动总成 (四轮驱动)

Cont. Front Final Drive Assembly (Four wheels drive)

序号 Ser. No.	代 号 Part No.		名 称 Name	数 量 Qty.
	新 New	旧 Old		
22	GB1235-76		O形密封圈 16 × 2.4	2
23	254.31.152	24S.31.152-2	螺塞	2
24	GB5783-86		螺栓 M10×20 (40Cr, 调质)	12
25	254.31.172	24S.31.172-1	下端盖	2
26	GB1235-76		O形密封圈 95 × 3.1	2
27	254.31.169	24S.31.169	调整垫片 0.2	△
	254.31.170	24S.31.170	调整垫片 0.5	△
	254.31.171	24S.31.171	调整垫片 1.0	△
28	GB297-84		滚动轴承 7210E	2
29	254.31.167	24S.31.167-1	前末端小齿轮	2
30	GB3452.1-82		O形密封圈 63 × 5.3	2
31	254.31.215	24S.31.215-1	支承套	2
32	254.31.217	24S.31.217-1	防尘圈	2
33	254.31.177	24S.31.177-2	套	2
34	254.31.161	24S.31.161-1	左主销壳	1
	254.31.187	24S.31.187-1	右主销壳	1
35	254.31.183	24S.31.183-1	主销	2
36	254.31.165	24S.31.165	支承套	2
37	254.31.184	24S.31.184	锥齿轮 (2)	2
38	GB297-84		滚动轴承 7208E	2
39	GB1235-76		O形密封圈 95 × 5.7	2

△ 适量 Just right amount

续9. 前末端传动总成 (四轮驱动)

Cont. Front Final Drive Assembly (Four wheels drive)

序号 Ser. No.	代 号 Part No.		名 称 Name	数 量 Qty.
	新 New	旧 Old		
40	254.31.157	24S.31.157-1A	调整垫片 0.2	△
	254.31.158	24S.31.158-1A	调整垫片 0.5	△
	254.31.159	24S.31.159-1A	调整垫片 1.0	△
41	254.31.160	24S.31.160-1	主销轴座	2
42	254.31.216	24S.31.216-1	主销轴头	2
43	GB1235-76		O形密封圈 50 × 3.5	2
44	254.31.156	24S.31.156-2	衬套	2
45	254.31.155	24S.31.155-2	左转向臂	1
	254.31.186	24S.31.186-2	右转向臂	1
46	GB93-87		垫圈 8	16
47	254.31.166	24S.31.166	锥齿轮 (1)	2
48	GB276-89		滚动轴承 209	2
49	254.31.162	24S.31.162	调整垫片 0.2	△
	254.31.163	24S.31.163	调整垫片 0.5	△
	254.31.164	24S.31.164	调整垫片 1.0	△
50	GB893.1-86		挡圈 85	2
51	GB1235-76		O形密封圈 110 × 5.7	2

10. 导向轮、前驱动轮
 Directive Wheel, Front Driving Wheel

数量 Qty	名称 Name	图号 Part No.	新号 New	旧号 Old
2	Rim wheel, directive wheel	18.92.01	22.52.011	
2	Tube 4.00-16			
2	Tire 4.00-16			
2	Rim wheel, front driving wheel			
2	Tube 4.00-16			
2	Tire 4.00-16			

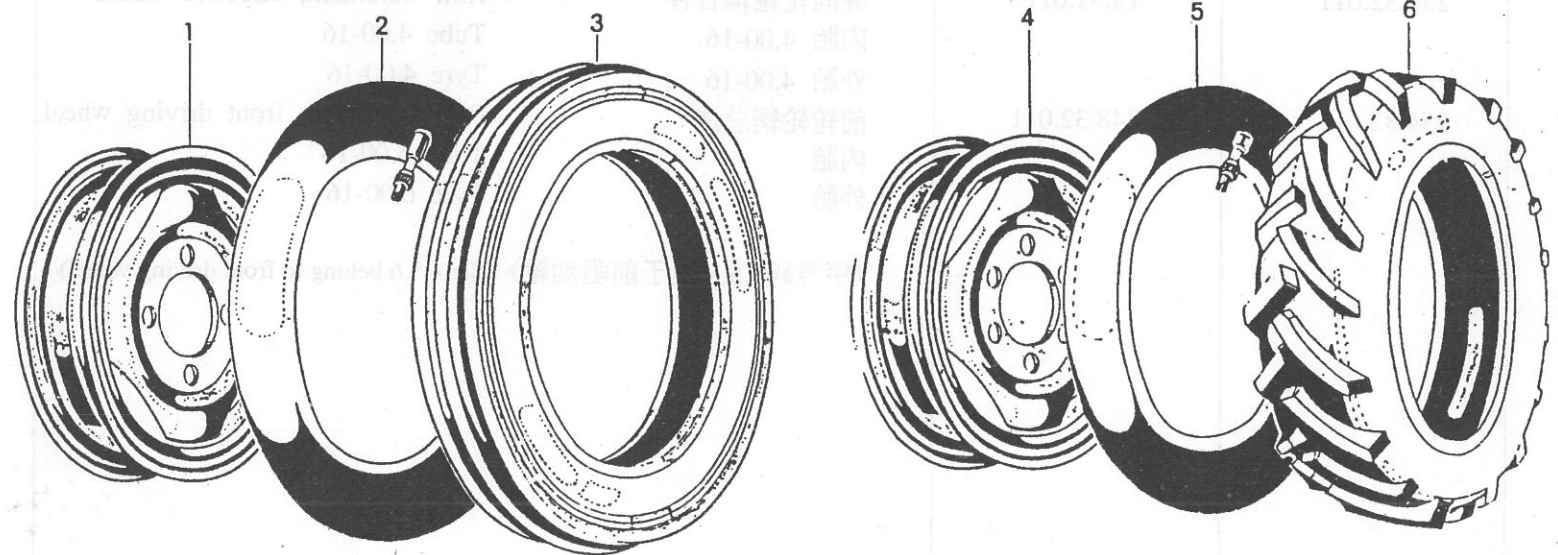


图10. 导向轮、前驱动轮

Fig.10. Directive Wheel, Front Drive Wheel

10. 导向轮、前驱动轮

Directive Wheel、Front Driving Wheel

序号 Ser. No.	代号 Part No.		名称 Name	数量 Qty.	
	新 New	旧 Old			
1	250.32.011	18.32.011	导向轮轮辋合件	Rim weldment, directive wheel	2
2			内胎 4.00-16	Tube 4.00-16	2
3			外胎 4.00-16	Tyre 4.00-16	2
4	254.32.011	248.32.011	前轮轮辋总成	Rim weldment, front driving wheel	2
5			内胎	Tube 6.00-16	2
6			外胎	Tyre 6.00-16	2
(序号4,5,6 属于前驱动轮) (Ser.4,5,6 belong to front driving wheel)					

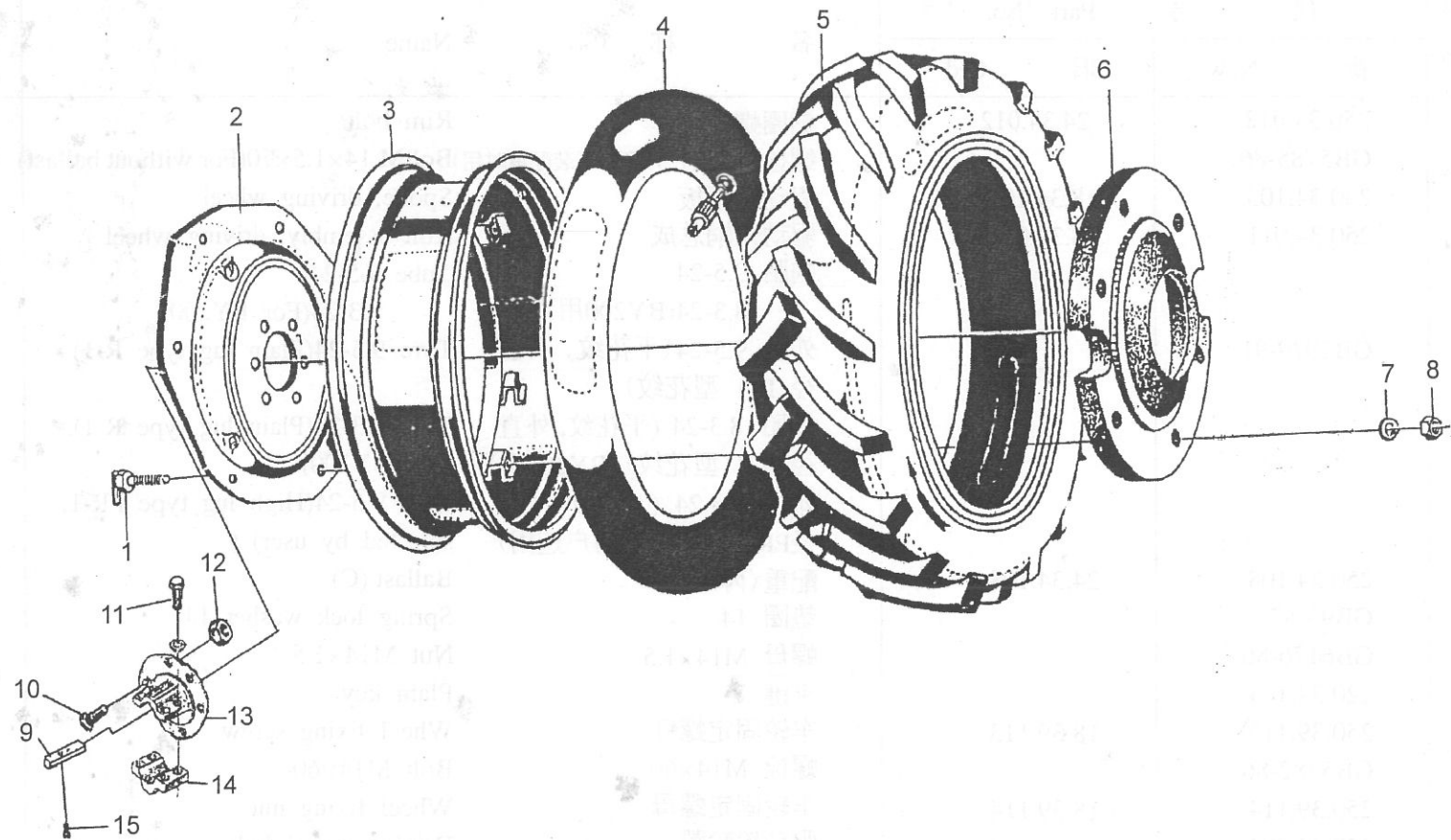


图11. 驱动轮
Fig.11. Driving Wheel

11. 驱动轮
Driving Wheel

序号 Ser. No.	代 号		名 称	Name	数 量 Qty.
	新 New	旧 Old			
1	250.34.012	24.34.012	钢圈螺栓	Rim bolt	12
	GB5785-86		螺栓M14×1.5×70(不装配重时用)	Bolt M 14×1.5×70(For without ballast)	12
2	250.34.103	18.34.103A	驱动轮辐板	Spoke, driving wheel	2
3	250.34.011	18.34.011A	驱动轮辋总成	Rim assembly, driving wheel	2
4			内胎 9.5-24	Tube 9.5-24	2
			8.3-24(BY200用)	8.3-24(For BY200)	2
5	GB2979-91		外胎 9.5-24(平花纹, 外直径 R-1 型花纹)	Tyre 9.5-24(Plain lug type R-1)	2
			外胎 8.3-24(平花纹, 外直径 R-1 型花纹)(BY200用)	Tyre 8.3-24(Plain lug type R-1) (For BY200)	2
			外胎 9.5-24(高花纹, 外直径PR-1型花纹, 用户选用)	Tyre 9.5-24(High lug type PR-1, selected by user)	2
6	250.34.108	24.34.108A	配重(丙)	Ballast (C)	2
7	GB93-87		垫圈 14	Spring lock washer 14	20
8	GB6176-86		螺母 M14×1.5	Nut M14×1.5	12
9	220.34.104		平键	Plain key	2
10	250.39.113	18.39.113	车轮固定螺钉	Wheel fixing screw	12
11	GB5782-86	18.39.114	螺栓 M14×60	Bolt M14×60	8
12	250.39.114		车轮固定螺母	Wheel fixing nut	12
13	220.34.102		驱动轮轮毂	Driving wheel hub	2
14	220.34.103		驱动轮轮毂盖	Driving wheel hub cover	2
15	GB65-85		螺钉 M5×10	Screw M5×10	2
16	300.34.110		垫套	Bush	6

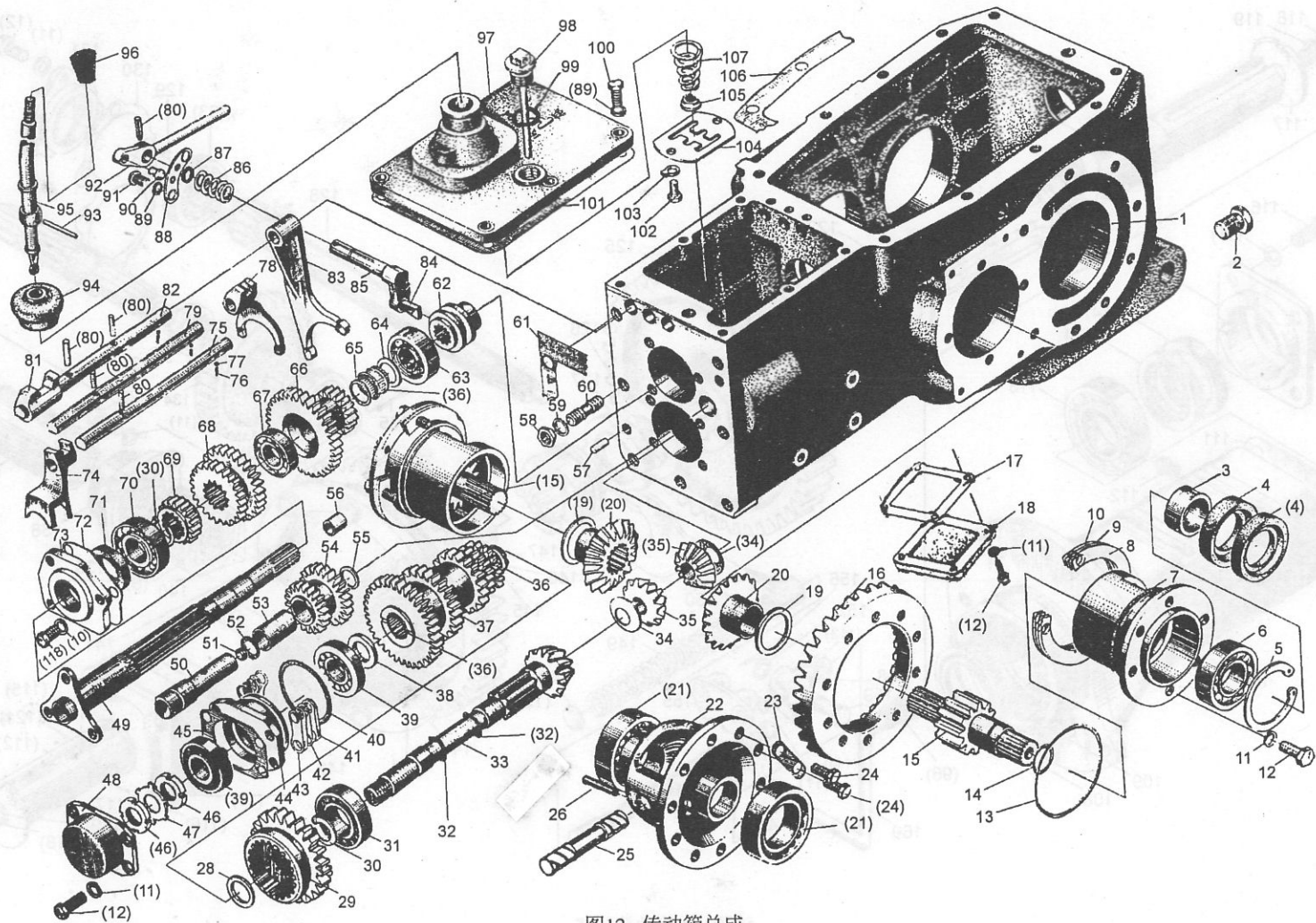
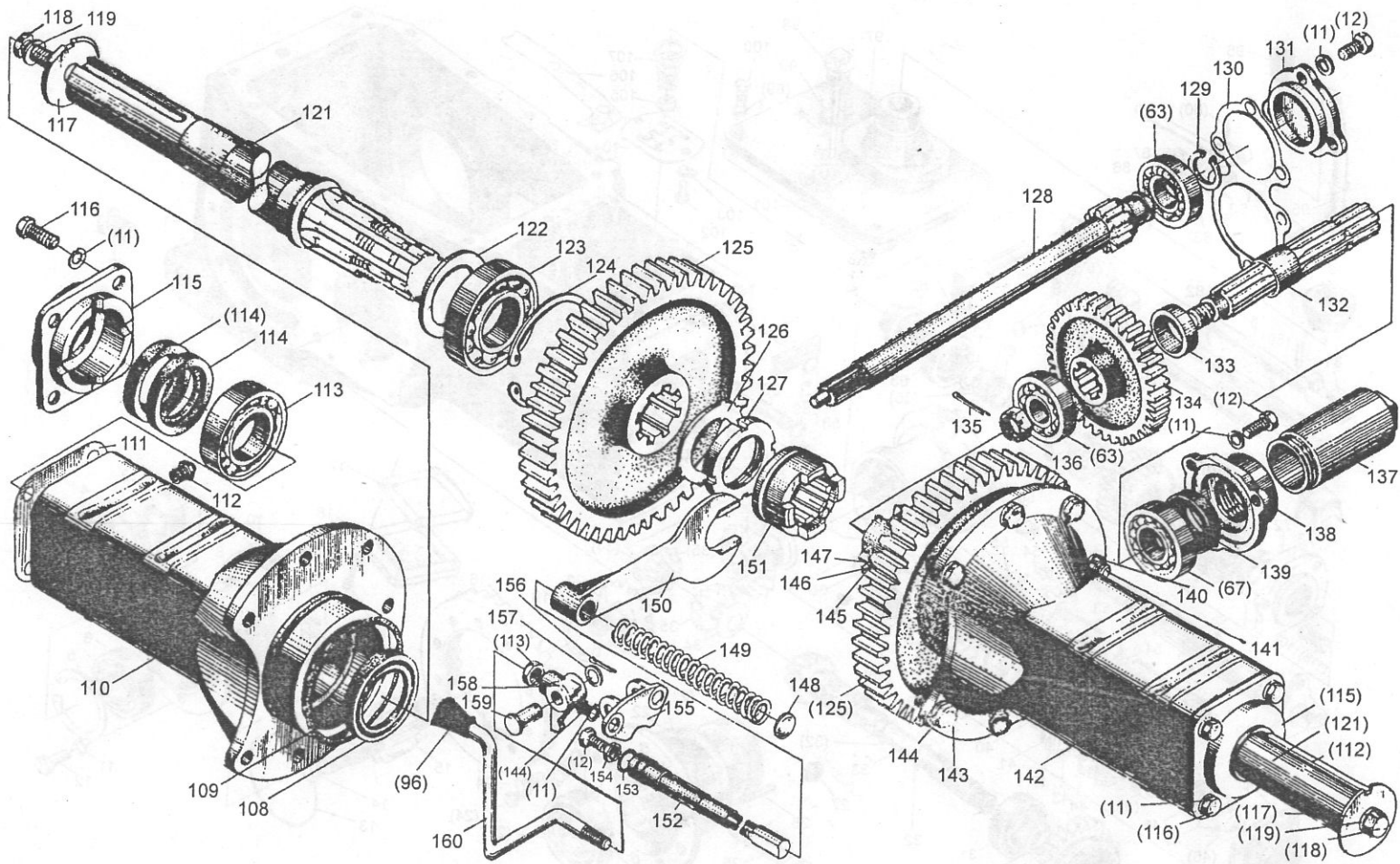


图12. 传动箱总成
Fig.12. Drive Gearbox



续图12. 传动箱总成

Cont.12. Drive Gearbox

12. 传动箱总成
Drive Gearbox

序号 Ser. No.	代 号 Part No.		名 称	Name	数 量 Qty.
	新 New	旧 Old			
1	150.37.101A		传动箱壳	Transmission case	1
2	ZBT32001.6-87		螺塞 Z3/4	Plug Z3/4	1
3	150.37.208		油封套圈	Seal sleeve	2
4	JB2600-80		骨架油封 PD50×80×12	Oil seal PD508012	4
5	GB893.1-86		挡圈 80	Circlip 80	2
6	GB283-87		滚动轴承 92307	Bearing 92307	2
7	150.37.207-1		轴承座	Bearing seat	2
8	150.37.204		调整垫片 0.1	Adjusting shims 0.1	△
9	150.37.205		调整垫片 0.15	Adjusting shims 0.15	△
10	150.37.206		调整垫片 0.4	Adjusting shims 0.4	△
11	GB93-87		垫圈 10(四轮驱动时少四件)	Washer 10	35(31)
12	GB5783-86		螺栓 M10×30-Zn.D(四轮驱动时少四件)	Bolt M10×30-Zn.D	20(16)
13	GB3452.1-82		O形密封圈 103×3.55	O-ring 103×3.55	2
14	GB3452.1-82		O形密封圈 28×3.55	O-ring 28×3.55	2
15	220.37.209		最终传动主动齿轮	15T gear	2
16	150.37.196		从动螺旋锥齿轮	Spiral bevel gear	1
17	150.37.238		纸垫(四轮驱动不安装)	Paper gasket	1
18	150.37.237A		盖(四轮驱动时不安装)	Cover	1
19	150.37.203		半轴齿轮垫片	Washer	2
20	150.37.202		半轴齿轮	Differential side gear	2
21	GB297-84		滚动轴承 2007111E	Bearing 2007111E	2
22	150.37.197		差速器壳	Differential case	1
23	150.37.195		锁片	Locking slice	5

△ 适量 Just right amount

续12.传动箱总成

Cont. Drive Gearbox

序号 Ser. No.	代 号 Part No.		名 称 Name	数 量 Qty	
	新 New	旧 Old			
24	GB5786-86		螺栓M10×1.2525	Bolt M10×1.25×25	10
25	150.37.198-1		行星齿轮轴	Shaft	1
26	GB879-86		销5×60	Pin5×60	1
28	150.37.104-1		二轴后止推环	Thrust ring	1
29	150.37.103-1		高低档滑动齿轮	43T gear	1
30	GB894.1-86		挡圈 34	Circlip 34	2
31	GB283-87		滚动轴承 92507	Beaing 92507	1
32	GB895.1-86		挡圈 32	Circlip 32	2
33	150.37.102-1		第二轴	2nd shaft	1
34	150.37.199		行星齿轮垫片	Washer	2
35	150.37.200		行星齿轮	Planet Gear	2
36	非标准(Non-standard)		滚动轴承 27×32×23.8	Needle bearing 27×32×23.8	3
37	150.37.106-1		I-III档从动齿轮	I-III speed gear	1
38	150.37.110		二轴前止推环	Thrust ring	1
39	GB297-84		滚动轴承 27305E	Bearing 27305E	2
40	GB3452.1-82		O形密封圈 67×3.55	O-ring 67×3.55	1
41	150.37-122		二轴调整垫片 0.1	Adjusting shims 0.1	△
42	150.37-123		二轴调整垫片 0.15	Adjusting shims 0.15	△
43	150.37.124		二轴调整垫片 0.4	Adjusting shims 0.4	△
44	150.37.121-1		二轴前轴承座	Bearing seat	1
45	150.37.125		二轴前轴承盖纸垫	Gasket	1
46	GB812-86		螺母 M24×1.5	Nut M24×1.5	2

续12. 传动箱总成

Cont. Drive Gearbox

序号 Ser. No.	代 号 Part No.		名 称 Name	数 量 Qty.
	新 New	旧 Old		
47	GB858-88		垫圈 24	1
48	150.37.126		二轴前轴承盖	1
49	150.37.015-1		第一轴焊合件	1
50	150.37.111-1		倒档轴	1
51	150.37.112		倒档轴堵塞	1
52	GB3452.1-82		O形密封圈 22.4×2.65	1
53	150.37.109-1		倒档轴齿轮衬套	1
54	150.37.108-1		倒档轴齿轮	1
55	150.37.107		倒档轴止推环	1
56	150.37.137		轴套	1
57	GB119-86		销 A10×26	2
58	GB6171-86		螺母 M14×1.5-Zn.D	7
59	GB93-87		垫圈	7
60	GB898-88		螺栓AM14-M14×1.5×35-Zn.D	7
61	150.37.129		传动箱纸垫	1
62	150.37.149		花键套	1
63	GB276-89		滚动轴承 305	3
64	150.37.147		一轴后止推环	1
65	150.37.105-1		滚针隔圈	1
66	150.37.146-1		高低档固定齿轮	1
67	GB276-89		滚动轴承 106	1
68	150.37.144-1		Ⅱ-Ⅲ档滑动齿轮	1
69	150.37.130-1		I-倒档滑动齿轮	1

续12. 传动箱总成

Cont. Drive Gearbox

序号 Ser. No.	代 号 Part No.		名 称 Name	数 量 Qty.	
	新 New	旧 Old			
70	GB276-89		滚动轴承 207	Bearing 207	2
71	JB2600-80		骨架油封 PD35×55×8	Oil seal PD35×55×8	1
72	150.37.127		一轴前轴承盖纸垫	Gasket	1
73	150.37.128		一轴前轴承盖	Cover	1
74	150.37.131		I-倒档拨叉	Fork	1
75	150.37.186		I-倒档拨叉轴	Fork shaft	1
76	150.37.148		拨叉轴锁定弹簧	Spring	3
77	GB308-89		钢球 8.7312G200b	Ball 8.7312G200b	3
78	150.37.143		II-III档拨叉	Fork	1
79	150.37-187		II-III档拨叉轴	Fork shaft	1
80	GB879-86		销 5×24	Pin 5×24	6
81	150.37.142		高低档拨头	Shift lump	1
82	150.37.188		高低档拨叉轴	Fork shaft	1
83	150.37.145		高低档拨叉	Fork	1
84	150.37.166		动力输出轴拨叉头	Shift lump	1
85	150.37.167-1		动力输出拨叉轴	Fork shaft	1
86	150.37.168		分离杆弹簧	Spring	1
87	GB3452.1-82		O形密封圈 11.8×1.8	O-ring 11.8×1.8	1
88	150.37.169		分离杆定位片	Check slice	1
89	GB93-87		垫圈 8	Washer 8	10
90	150.37.170		限位销	Pin	1
91	GB67-85		螺钉 M8×16	Screw M8×16	2
92	150.37.017		分离杆总成	Release rod	1

续12.传动箱总成

Cont. Drive Gearbox

序号 Ser. No.	代 号 Part No.		名 称	Name	数 量 Qty
	新 New	旧 Old			
93	GB119-86		销 B6×45	Pin B6×45	1
94	150.37.181		变速杆密封罩	Sealing cap	1
95	150.37-180		变速杆	Selector lever	1
96	250.37.211		操纵杆手柄	Handle control lever	2
97	150.37.182		变速箱盖	Cover	1
98	150.37.018		油尺总成	Dipstick	1
99	220.37.231		垫圈	Washer	1
100	GB5783-86		螺栓 M8×25-Zn.D	Bolt M8×25-Zn.D	6
101	150.37.175		箱盖纸垫	Gasket	1
102	GB5783-86		螺栓 M8×16	Bolt M8×16	2
103	GB854-88		垫圈 8	Washer 8	2
104	150.37.185		变速杆导板	Shift guide plate	1
105	150.37.184		变速杆弹簧挡圈	Washer 8	1
106	150.37.150		提升器壳纸垫	Gasket	1
107	150.37.183		变速杆弹簧	Spring	1
108	GB2600-80		骨架油封 Pd55×75×12	Oil seal Pd55×75×12	2
109	GB1235-76		O形密封圈120×3.1	O-ring 120×3.1	2
110	150.37.217-1		右驱动轴套管	R-driving shaft housing	1
111	150.37.213		纸垫	Gasket	2
112	GB1152-89		油杯 M10×1	Grease M10×1	2
113	GB276-89		滚动轴承 210	Braring 210	2
114	GB2600-80		骨架油封 PD50×72×12	Oil seal Pd50×72×12	4
115	150.37.214		驱动轴轴承盖	Cover	2

续12. 传动箱总成

Cont. Drive Gearbox

序号 Ser. No.	代 号 Part No.		名 称 Name	数 量 Qty.	
	新 New	旧 Old			
116	GB5783-86		螺栓 M10×25-Zn.D	Bolt M10×25-Zn.D	16
117	150.37.216		挡圈	Washer	2
118	GB5783-86		螺栓 M16×35-Zn.D	Bolt M16×35-Zn.D	2
119	GB93-87		垫圈 16	Washer 16	2
121	220.37.212		驱动轴	Driving Shaft	2
122	150.37.218		轴承挡圈	Washer	2
123	GB276-89		滚动轴承 211	Bearing 211	2
124	GB893.1-86		挡圈 100	Circlip 100	2
125	220.37.210		最终传动从动齿轮	67T gear	2
126	GB858-88		垫圈 52	Washer 52	2
127	GB812-86		螺母 M52×1.5	Nut M52×1.5	2
128	150.37.153		动力输出传动轴	Shaft	1
129	GB894.1-86		挡圈 25	Circlip 25	1
130	150.37.154		纸垫	Gasket	1
131	150.37.155		传动轴轴承盖	Cover	1
132	150.37.158-1		动力输出轴	PTO shaft	1
133	150.37.161		输出轴挡圈	Washer	1
134	150.37.157-1		动力输出轴从动齿轮	50T gear	1
135	GB91-86		销 4×40	Pin 440	1
136	GB9459-88		螺母 M20×1.5	Nut M20×1.5	1
137	150.37.159		动力输出轴护套	Guard	1
138	150.37.160		动力输出轴轴承盖	Cover	1
139	JB2600-80		骨架油封 SD35×55×10	Oil-seal SD35×55×10	1

续12. 传动箱总成

Cont. Drive Gearbox

序号 Ser. No.	代 号 Part No.		名 称 Name	数 量 Qty.	
	新 New	旧 Old			
140	GB6171-86		螺母 M12×1.25-Zn.D	Nut M12×1.25-Zn.D	3
141	GB898-88		螺栓 AM12-M12×1.25×30-Zn.D	Stud Am12-M12×1.25×30-Zn.D	2
142	150.37.226-1		左驱动轴套管	L-driving shaft housing	1
143	GB5783-86		螺栓 M12×30-Zn.D	Bolt M12×30-Zn.D	14
144	GB93-87		垫圈 12	Washer 12	16
145	220.37.225		左牙嵌	Left claw	1
146	150.37.224		锁紧螺钉	Screw	1
147	GB/T343-94		低碳钢丝	Steel wire	1
148	150.37.232		堵片	Plugging patch	1
149	150.37.223		差速锁弹簧	Spring	1
150	150.37.222		差速锁拨叉	Fork	1
151	220.37.221		右牙嵌	Right claw	1
152	150.37.227-1		差速锁拨叉轴	Fork shaft	1
153	GB3452.1-82		O形密封圈 15×2.65	O-ring 15×2.65	1
154	GB6170-86		螺母 M10-Zn.D	Nut M10-Zn.D	1
155	150.37.228		差速锁手柄座	Seat	1
156	GB91-86		销 3.2×16-Zn.D	Pin 3.2×16-Zn.D	1
157	GB97.1-85		垫圈 10-140HV	Washer 10-140HV	1
158	150.37.229		差速锁拨杆	Lever	1
159	GB882-86		销轴 B10×45-Zn.D	Axis pin B10×45-Zn.D	1
160	220.37.230		差速锁手柄	Control lever, differential lock	1

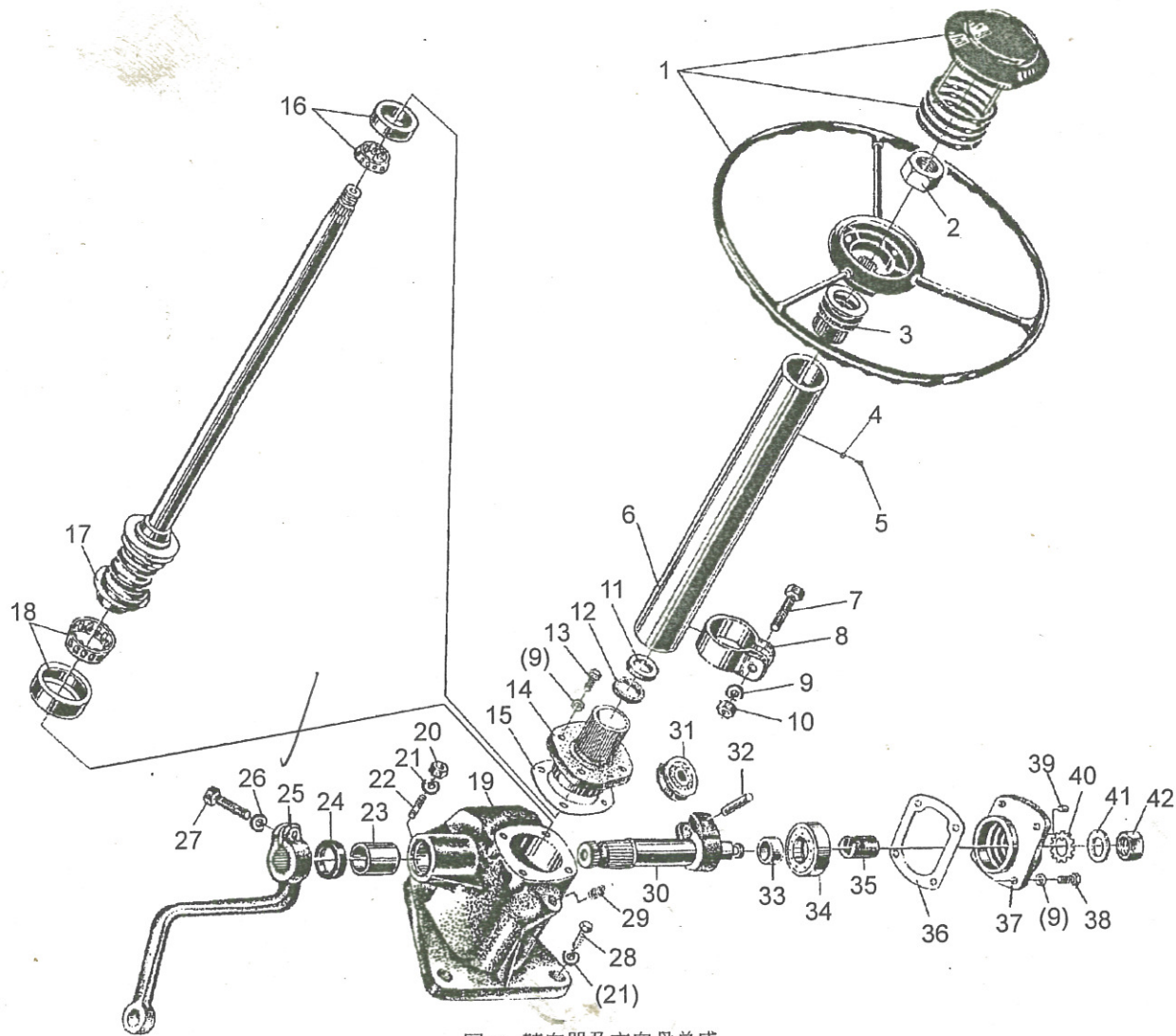


图13. 转向器及方向盘总成

Fig.13. Steering Gear & Steering-Wheel Assembly

13. 转向器及方向盘总成

Steering Gear & Steering-Wheel Assembly

序号 Ser. No.	代 号 Part No.		名 称 Name	数 量 Qty.	
	新 New	旧 Old			
1	250.40.014	24.40.014-1	方向盘总成(D=400)	Steering wheel assembly(D=400)	1
2	GB6173-86		螺母 M16 × 1.5	Nut M16 × 15	1
3	250.40.024	24.40.024	接触环总成	Contact ring assembly	1
4	GB93-87		垫圈 4	Spring lock washer 4	1
5	GB848-85		自攻螺钉ST4.2×9.5×-C-Z	Tapping screw ST4.2×9.5×-C-Z	1
6	220.40.102		转向套管	Steering sleeve	1
7	GB5783-86		螺栓 M8 × 55	Bolt M8 × 55	1
8	130LJ-3401126		柱夹	Clip	1
9	GB93-87		垫圈 8	Spring lock washer 8	9
10	GB6170-86		螺母 M8	Nut M8	1
11	250.40.114	18.40.114	转向轴油封盖	Oil seal cover, steering shaft	1
12	250.40.115	18.40.115	转向轴油封填料	Filling material, steering shaft oil seal	1
13	GB5783-86		螺栓 M8×20	Bolt M8×20	4
14	220.40.258		上盖	Steering gear above cover	1
15	JS.40.209		上盖调整垫片 0.1	Adjusting shim 0.1, steering gear above cover	△
	JS.40.210		上盖调整垫片 0.2	Adjusting shim 0.2, steering gear above cover	△
	JS.40.211		上盖调整垫片 0.5	Adjusting shim 0.5, steering gear above cover	△
	JS.40.212		上盖调整垫片 1.0	Adjusting shim 1.0, steering gear above cover	△
16	非标(Non-standard)		轴承 977907	Rolling bearing 977907	1
17	220.40.012		转向轴带轴向蜗杆总成	Steering shaft assembly with steering worm	1
18	非标(Non-standard)		轴承 977907K	Rolling bearing 977907K	1
19	220.40.109		转向器壳	Steering gear housing	1
20	GB6171-86		螺母 M14×1.5	Nut M14×1.5	1

△ 适量 Just right amount

续13. 转向器及方向盘总成

Cont. Steering Gear & Steering-Wheel Assembly

序号 Ser. No.	代 号 Part No.		名 称 Name	数 量 Qty.	
	新 New	旧 Old			
21	GB93-87	18.40.110	垫圈 14	Spring lock washer 14	3
22	GB898-88		双头螺栓AM14-M14×1.5×30-8.8-Zn.D	Bolt AM14-M14×1.5×30-8.8-Zn.D	1
23	250.40.110		摇臂衬套	Rock arm bush	1
24	非标(Non-standard)		油封 32 × 44 × 10	Oil seal 32×44×10	1
25	220.40.101		转向垂臂	Steering rock arm	1
26	GB93-87		垫圈 12	Spring lock washer 12	1
27	GB5782-86		螺栓 M12 × 50	Bolt M12×50	1
28	GB5783-86		螺栓 M14×30	Bolt M14×30	2
29	ZBT32001.4-87		螺塞 Z3/8-18	Plug Z3-8-18	1
30	JS.40.112		转向摇臂轴	Steering rock arm shaft	1
31	非标(Non-standard)	轴承 776701	Rolling bearing 776701	1	
32	250.40.205	18.40.205	转向摇臂轴滚轮销	Pin,steering rock arm shaft rolling wheel	1
33	250.40.113	24.40.113A	套	Sleeve	1
34	非标(Non-standard)	轴承 922205	Rolling bearing 922205	1	
35	250.40.202	18.40.202	转向摇臂轴调整螺钉	Adjusting screw, steering rock arm shaft	1
36	250.40.208	18.40.208	转向器侧盖衬垫	Liner, steering gear side cover	1
37	250.40.207	18.40.207	转向器侧盖	Steering gear side cover	1
38	GB5781-86	螺栓 M8×16	Bolt M8×16	4	
39	GB119-86	销 B5×8	Parallel pin B5×8	1	
40	250.40.206	18.40.206	摇臂轴调整螺钉锁紧垫圈	Lock washer,rock arm shaft adjusting screw	1
41	250.40.253	18.40.253	铜垫片	Copper washer	1
42	250.40.023	24.40.023A	转向摇臂轴调整螺母组合	Adjusting nut assembly,steering rock arm shaft	1

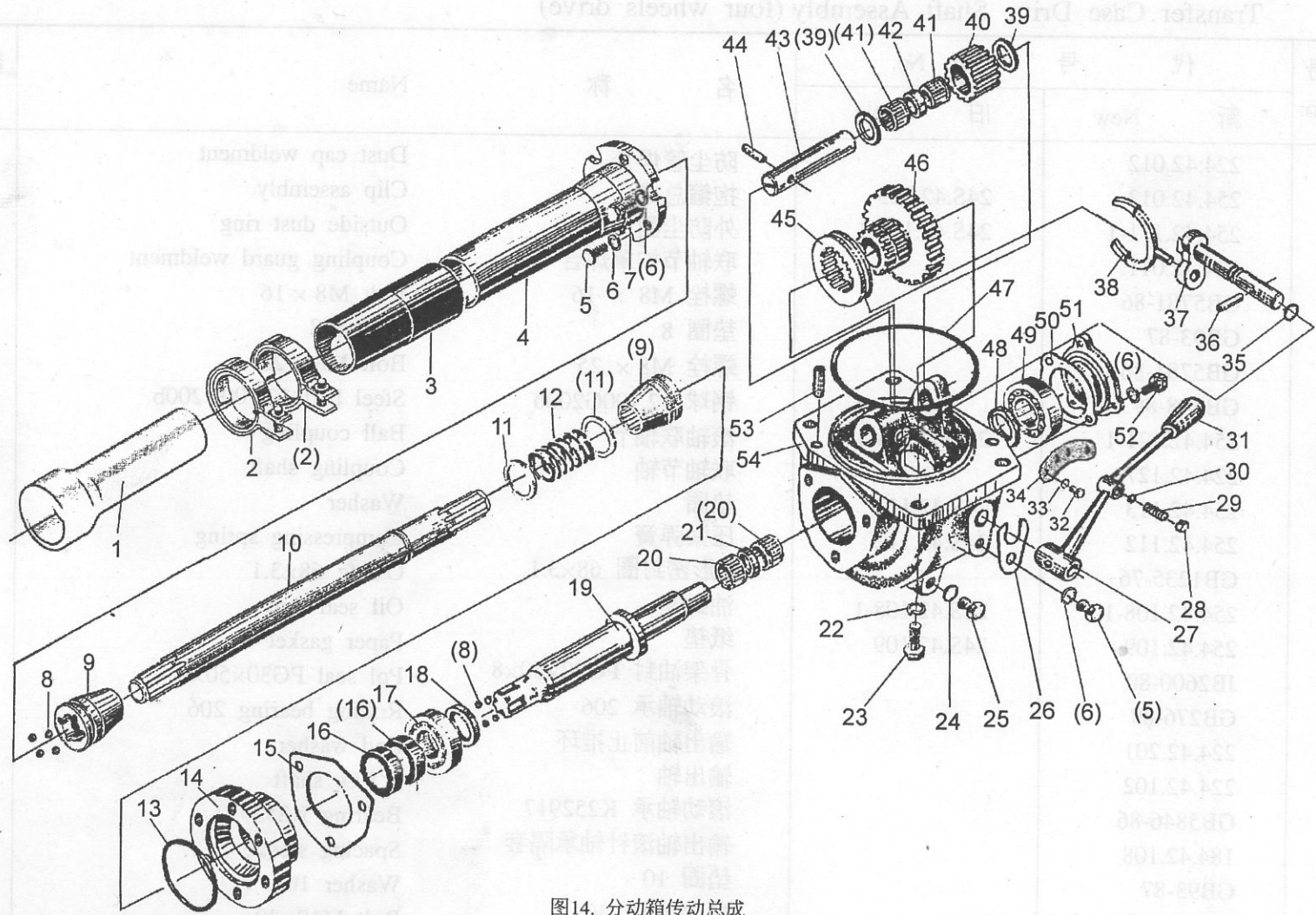


图14. 分动箱传动总成

Fig.14. Transfer Case Drive Shaft Assembly(Four wheels drive)

14. 分动箱传动总成 (四轮驱动)

Transfer Case Drive Shaft Assembly (four wheels drive)

序号 Ser. No.	代 号 -Part No.		名 称 Name	数 量 Qty.	
	新 New	旧 Old			
1	224.42.012		防尘管焊合	Dust cap weldment	1
2	254.42.013	24S.42.013	抱箍总成	Clip assembly	2
3	254.42.111-1	24S.42.111-1	外防尘圈	Outside dust ring	1
4	224.42.011		联轴节护罩焊合	Coupling guard weldment	1
5	GB5781-86		螺栓 M8 × 16	Bolt M8 × 16	4
6	GB93-87		垫圈 8	Washer 8	10
7	GB5781-86		螺栓 M8 × 25	Bolt M8 × 25	3
8	GB308-89		钢球 12.700G200b	Steel ball 12.700G200b	8
9	254.42.121-1	24S.42.121-1	滚轴联轴节	Ball coupling	2
10	224.42.127		联轴节轴	Coupling shaft	1
11	254.42.113	24S.42.113	垫圈	Washer	1
12	254.42.112	24S.42.112	压紧弹簧	Compressing spring	1
13	GB1235-76		O形密封圈 68×3.1	O-ring 68×3.1	1
14	254.42.108-1	24S.42.108-1	油封座	Oil seal seat	1
15	254.42.109	24S.42.109	纸垫	Paper gasket	1
16	JB2600-80		骨架油封 PG30×50×8	Pol seal PG30×50×8	2
17	GB276-89		滚动轴承 206	Rolling bearing 206	1
18	224.42.201		输出轴前止推环	End washer	1
19	224.42.102		输出轴	P.T.O. shaft	1
20	GB5846-86		滚动轴承 K252917	Bearing K252917	2
21	184.42.108		输出轴滚针轴承隔套	Spacing sleeve	1
22	GB93-87		垫圈 10	Washer 10	4
23	GB5783-86		螺栓 M10×30	Bolt M10×30	4

续14. 分动箱传动总成 (四轮驱动)

Cont. Transfer Case Drive Shaft Assembly (four wheels drive)

序号 Ser. No.	代 号 Part No.		名 称 Name	数 量 Qty.
	新 New	旧 Old		
24	GB1235-76		O形密封圈 16 × 2.4	1
25	254.31.152-2	24S.31.152-2	螺塞	1
26	184.42.120		拨叉轴限位板	1
27	224.42.014		操纵杆焊合件	1
28	250.37.302	18.37.302	螺塞	1
29	250.37.301	18.37.301	弹簧	1
30	GB308-89		钢球 8.7312G200b	1
31	250.37.211		操纵杆手柄	1
32	GB5783-86		螺栓 M12×20	1
33	GB93-87		垫圈 12	1
34	224.42.119		摇臂定位板	1
35	GB3452.1-82		O形密封圈 12.5×1.8	1
36	GB879-86		销 6×25	1
37	224.42.122-1		分动箱拨叉轴	1
38	224.42.121-1		分动箱拨叉	1
39	184.42.115		中间轴止推环	2
40	224.42.118		分动箱中间齿轮	1
41	GB5846-86		滚动轴承 K202417	2
42	184.42.117		中间轴滚针轴承隔套	1
43	184.42.116		中间轴	1
44	GB879-86		销 6×35	1
45	224.42.103		啮合套	1
46	224.42.104		分动箱从动齿轮	1

续14. 分动箱传动总成 (四轮驱动)

Cont. Transfer Case Drive Shaft Assembly (four wheels drive)

序号 Ser. No.	代 号 Part No.		名 称 Name	数 量 Qty.
	新 New	旧 Old		
47	GB3452.1-82		O形密封圈 125 × 3.55	1
48	184.42.107		输出轴后止推环	1
49	GB276-89		滚动轴承 304	1
50	184.42.106		后轴承盖纸垫	1
51	184.42.105		后轴承盖	1
52	GB5781-86		螺栓 M8×20	1
53	GB119-86		销 A10×22	2
54	224.42.101		分动箱壳体	1

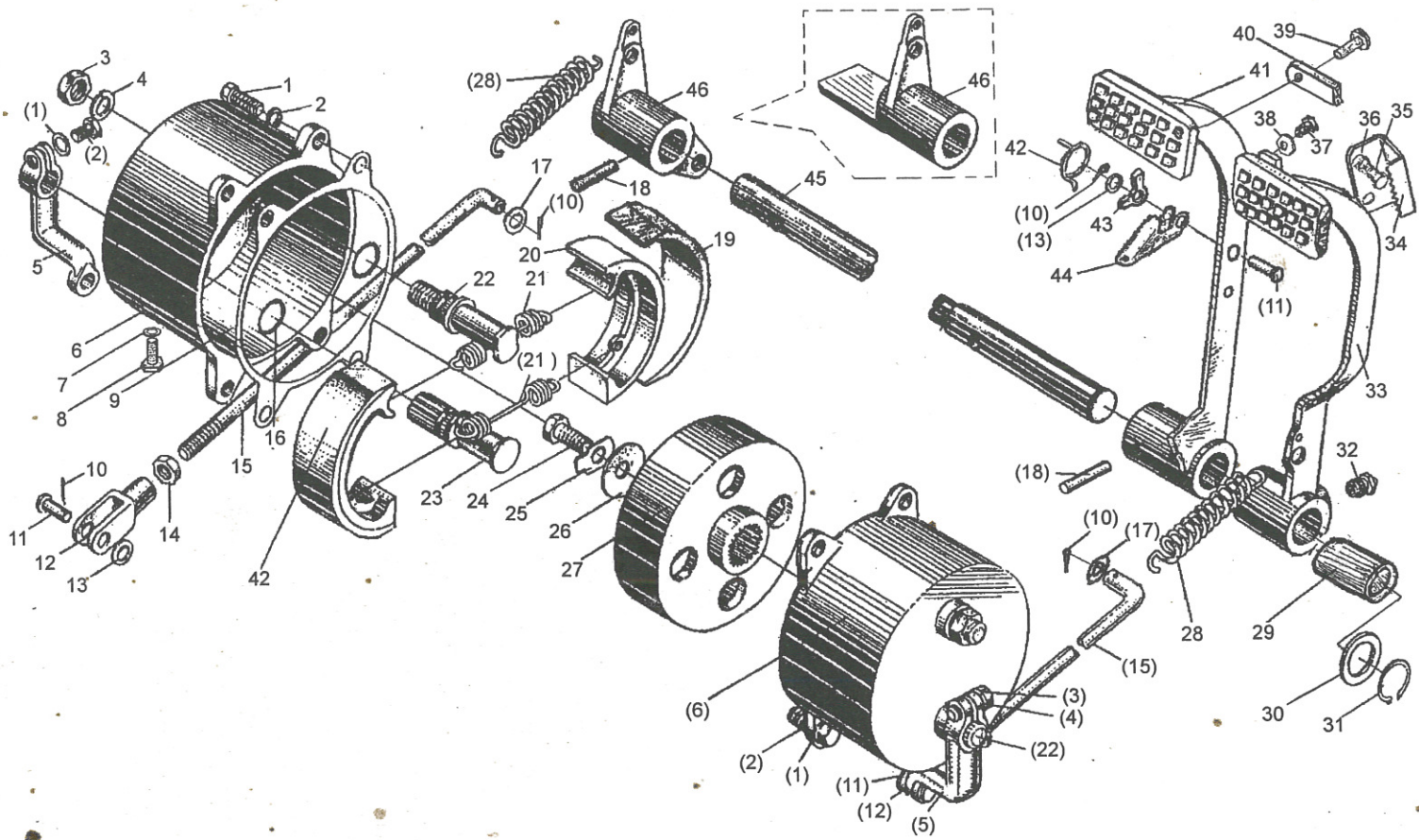


图15. 制动器及操纵机构

Fig.15. Break & Operation Mechanism

15. 制动器及操纵机构

Brake & Operation Mechanism

序号 Ser. No.	代号 Part No.		名称 Name	数量 Qty.
	新 New	旧 Old		
1	GB93-87		垫圈 8 Washer 8	10
2	GB5783-86		螺栓 M18 × 25-Zn.D Bolt M8×25-Zn.D	10
3	GB6170-86		螺母 M16-Zn.D Nut M16-Zn.D	2
4	GB93-87		垫圈 16 Washer 16	2
5	150.43.102		制动摇臂 Arm	2
6	150.43.121		制动器壳 Brake case	2
7	150.43.114		制动器壳纸垫 Gesket	2
8	JB1002-77		垫圈 8 Washer 8	2
9	GB5783-86		螺栓 M8 × 16-Zn.D Bolt M8×16-Zn.D	2
10	GB91-86		销 3.2 × 16-Zn.D Pin 3.2×16-Zn.D	5
11	GB882-86		销轴 B8 × 30-Zn.D Axls pin B8×30-Zn.D	3
12	250.43.109	24.43.109	拉杆调节叉 Adjusting yoke	2
13	GB97.1-85		垫圈 8-140HV-Zn.D Washer 8-140HV-Zn.D	3
14	GB6170-86		螺母 M10-Zn.D Bolt M10-Zn.D	2
15	220.43.106		制动拉杆 Rod	2
16	GB3452.1-82		O形密封圈 15×2.65 O-ring 15×2.65	4
17	GB97.1-85		垫圈 10-140HV-Zn.D Washer 10-140HV-Zn.D	2
18	GB879-86		销 8 × 40 Pin 8×40	2
19	220.43.129		制动磨擦片 Grater	4
20	220.43.128		制动蹄 Brake shoe	2
21	150.43.123		回位弹簧 Spring	4
22	220.43.122		制动蹄销轴 Brake shoe pin	2
23	150.43.124		制动凸轮 Brake cam	2

续15. 制动器及操纵机构

Cont. Brake & Operation Mechanism

序号 Ser. No.	代 号 Part No.		名 称 Name	数 量 Qty.	
	新 New	旧 Old			
24	GB5783-86		螺栓 M12 × 25-Zn.D	Bolt M12×25-Zn.D	2
25	150.43.104		单耳止动垫圈	Stop washer	2
26	150.43.101		垫圈	Washer	2
27	150.43.105		制动鼓	Drum	2
28	150.21.105		离合器踏板弹簧	Spring	2
29	150.21.137		离合器踏板衬套	Bush, pedal shaft	1
30	150.43.112		挡圈	Stop ring	1
31	GB894.1-86		挡圈 25	Circlip for shaft 25	1
32	GB1152-89		油杯 M10×1	Grease M10×1	1
33	220.43.141		右制动踏板	Right petal	1
34	150.43.110-1		制动齿板	Plate	1
35	GB5781-86		螺栓 M10×25-Zn.D	Bolt M10×25-Zn.D	2
36	GB93-87		垫圈 10	Washer 10	2
37	GB5781-86		螺栓 M6×20-Zn.D	Bolt M6×20-Zn.D	1
38	GB41-86		螺母 M6-Zn.D	Nut M6-Zn.D	1
39	GB109-86		铆钉 6×28-Zn.D	Rivet 6×28-Zn.D	1
40	150.43.136		连锁片	Plate, to lock together	1
41	220.43.133		左制动踏板	Left petal	1
42	250.43.110	18.43.110	扭力弹簧	Torsional spring	1
43	250.43.114	18.43.114	定位爪	Locating pawl	1
44	250.43.113	18.43.113	定位爪摇臂	Rock arm, locating pawl	1
45	150.43.113		制动踏板轴	Petal shaft	1

续15. 制动器及操纵机构

Cont. Brake & Operation Mechanism

序号 Ser. No.	代 号 Part No.		名 称 Name	数 量 Qty.
	新 New	旧 Old		
46	150.43.111		左制动短摇臂(配山东机罩) Short arm (For ShanDong's engine hood)	1
	220.43.111		左制动短摇臂(配奔野机罩) Short arm (For Benye engine hood)	1

18. 駕駛座工具箱總成
 Driver Seat & Tool Box Assembly

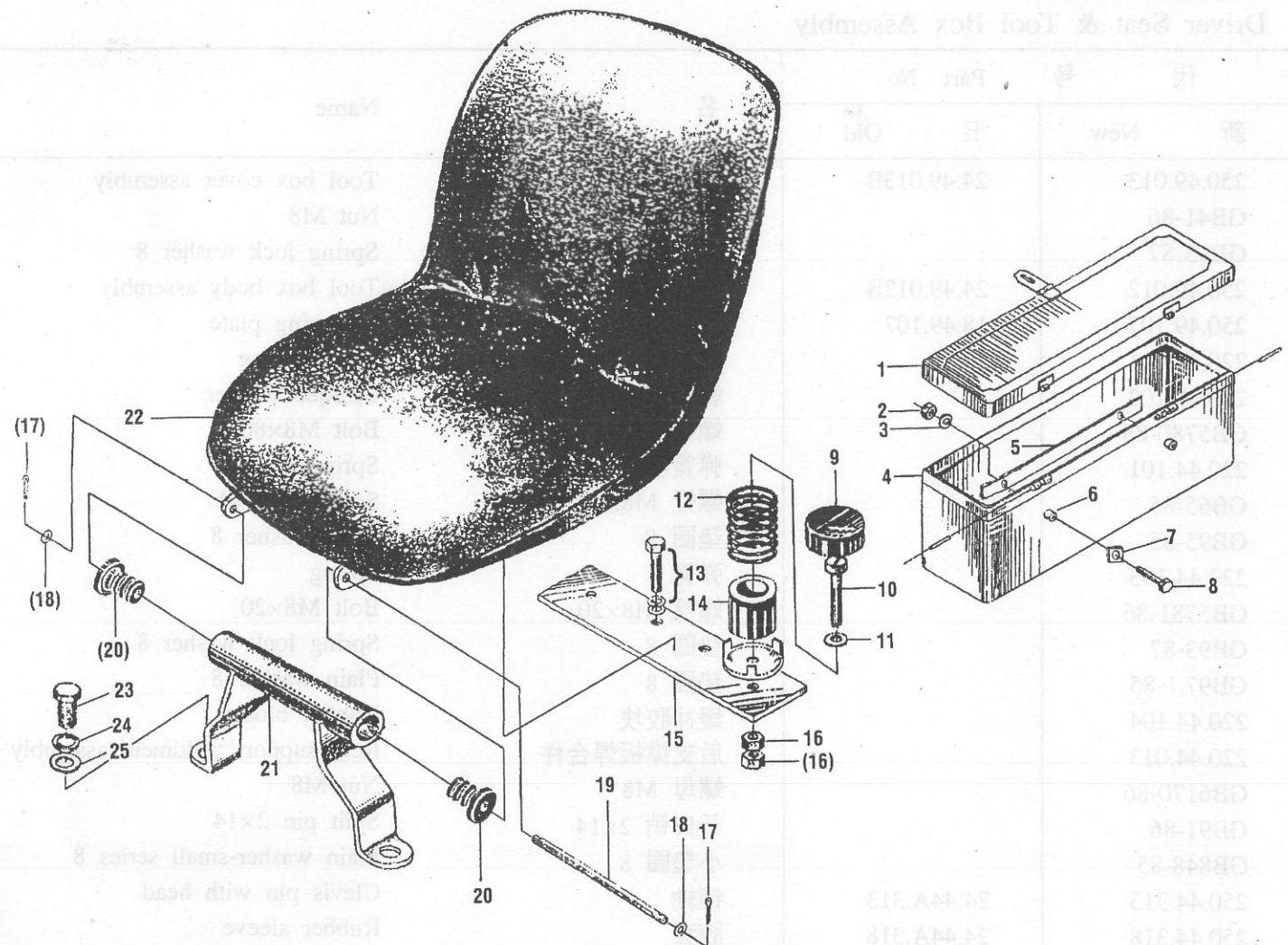


图16. 駕駛座工具箱總成

Fig.16, Driver Seat & Tool Box Assembly

16. 驾驶座工具箱总成
Driver Seat & Tool Box Assembly

序号 Ser. No.	代号 Part No.		名称 Name	数量 Qty.	
	新 New	旧 Old			
1	250.49.013	24.49.013B	箱盖总成	Tool box cover assembly	1
2	GB41-86		螺母 M8	Nut M8	2
3	GB93-87		垫圈 8	Spring lock washer 8	2
4	250.49.012	24.49.012B	箱体总成	Tool box body assembly	1
5	250.49.107	18.49.107	压板	Clamping plate	1
6	220.49.101		隔离圈	Spacing ring	2
7	220.49.102		斜垫片	Oblique washer	2
8	GB5780-86		螺栓 M8 × 80	Bolt M8×80	2
9	220.44.101		弹簧套座	Spring cover	2
10	GB65-85		螺钉 M8×40	Screw M8×40	2
11	GB95-85		垫圈 8	Plain washer 8	2
12	220.44.103		弹簧	Spring	2
13	GB5781-86		螺栓 M8×20	Bolt M8×20	2
	GB93-87		垫圈 8	Spring lock washer 8	2
	GB97.1-85		垫圈 8	Plain washer 8	2
14	220.44.104		缓冲胶块	Rubber block	2
15	220.44.013		后支撑板焊合件	Rear support weldment assembly	1
16	GB6170-86		螺母 M8	Nut M8	4
17	GB91-86		开口销 2×14	Split pin 2×14	2
18	GB848-85		小垫圈 8	Plain washer-small series 8	2
19	250.44.313	24.44A.313	销轴	Clevis pin with head	1
20	250.44.318	24.44A.318	胶套	Rubber sleeve	2
21	220.44.011		固定板焊合件	Fixing plate weldment assembly	1

续16. 驾驶室工具箱总成

Cont. Driver Seat & Tool Box Assembly

序号 Ser. No.	代 号 Part No.		名 称 Name	数 量 Qty.
	新 New	旧 Old		
22			座椅罩和座椅焊合件 Driver seat guard & driver seat weldment assembly	1
23	GB5781-86		螺栓 M10 × 20 Bolt M10×20	2
24	GB93-87		垫圈 10 Spring lock washer 8	2
25	GB98.1-85		垫圈 10 Plain washer 8	2

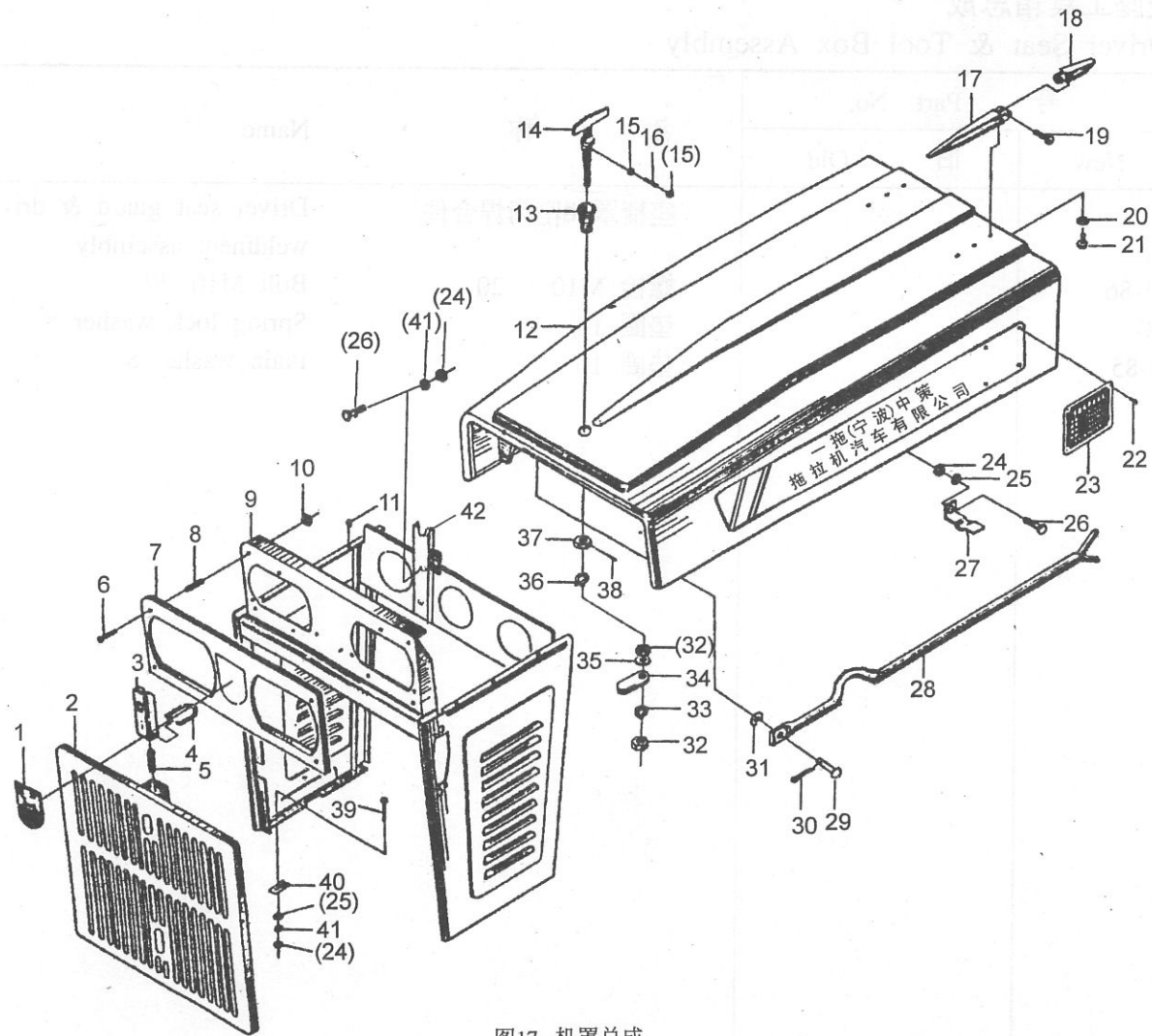


图17. 机罩总成

Fig.17. Engine Hood Assembly

17. 机罩总成

Engine Hood Assembly

序号 Ser. No.	代 号 Part No.		名 称	Name	数 量 Qty.
	新 New	旧 Old			
1	250.47.226	24.47A.226A	商标	Emblem	1
2	350.47.014	24.47A.014C	风窗焊合件	Ventilation window weldment	1
3	250.47.137	24.47.137B	舌片	Tongue piece	1
4	250.47.138	24.47.138B	拉环	Pull ring	1
5	250.47.119	24.47.119B	弹簧	Spring	1
6	GB818-85		螺钉 M6 × 35	Screw M6 × 35	4
7	250.47.242	24.47A.242	面框	Face frame	1
8	250.47.236	24.47A.236	面框支承弹簧	Face frame supporting spring	4
9	250.47.012	24.47A.012E	侧板焊合	Side plate weldment	1
10	GB41-86		螺母 M6	Nut M6	14
11	250.47.139	24.47.139A	橡胶垫	Rubber pad	6
12	250.47.013	24.47A.013C	机罩上盖焊合件	Upper cover weldment, engine hood	1
13	250.47.201	24.47.201	锁紧定位套	Lock locating sleeve	1
14	250.47.200		锁紧杆	Lock rod	1
15	GB308-89		钢球 9.525G200b	Steel ball 9.525G200b	2
16	250.47.202	24.47.202	定位弹簧	Locating spring	1
17	250.47.191		左铰链	Hinge left	1
	250.47.192		右铰链	Hinge right	1
18	250.47.238		铰链	Hinge	2
19	250.47.193		铰链销	Hinge pin	2
20	GB93-87		垫圈 6	Spring lock washer 6	10
21	GB73-85		螺钉 M6 × 20	Screw M6 × 20	10
22	GB872-86		铆钉 2×6	River for name plate 2×6	4

续17. 机罩总成

Cont. Engine Hood Assembly

序号 Ser. No.	代 号 Part No.		名 称 Name	数 量 Qty.	
	新 New	旧 Old			
23	224.47.271		铭牌	Name plate	1
	224.47.272		铭牌(选用)	Name plate (Selected)	1
	220.47.271		铭牌	Name plate	1
	220.47.272		铭牌(选用)	Name plate (selected)	1
24	GB41-86		螺母 M8	Nut M8	7
25	GB97.1-85		垫圈 8	Plain washer 8	5
26	GB5781-86		螺栓 M8 × 20	Bolt M8 × 20	3
27	250.47.245	24.47A.245	杆夹	Rod clip	1
28	350.47.032	24.47A.032A	撑杆焊合件	Bracing rod weldment	1
29	GB882-86		销轴 B6 × 22	Clevis pin with head B6 × 22	1
30	GB91-86		销 2 × 12	Split pin 2 × 12	1
31	250.47.215	24.47.215	橡胶圈	Rubber washer	2
32	GB41-86		螺母 M12	Nut M12	2
33	GB93-87		垫圈 12	Spring lock washer 12	1
34	250.47.203	24.47.203	锁板	Lock plate	1
35	GB97.1-85		垫圈 12	Plain washer 12	2
36	GB894.1-86		挡圈 13	Circlip for shaft 13	1
37	250.47.204	24.47.204	螺母 12	Nut 12	1
38	GB818-85		螺钉 M5 × 6	Screw M5 × 6	1
39	GB12-88		螺栓 M8 × 50	Bolt M8 × 50	4
40	250.47.256	24.47A.256	调整垫	Adjusting pad	△
41	GB93-87		垫圈	Spring lock washer 8	4
42	224.47.131		机罩撑杆固定支架	Engine hood bracing rod locating seat	1

18. 挡泥板及踏板
Mud Shield & Step Plate

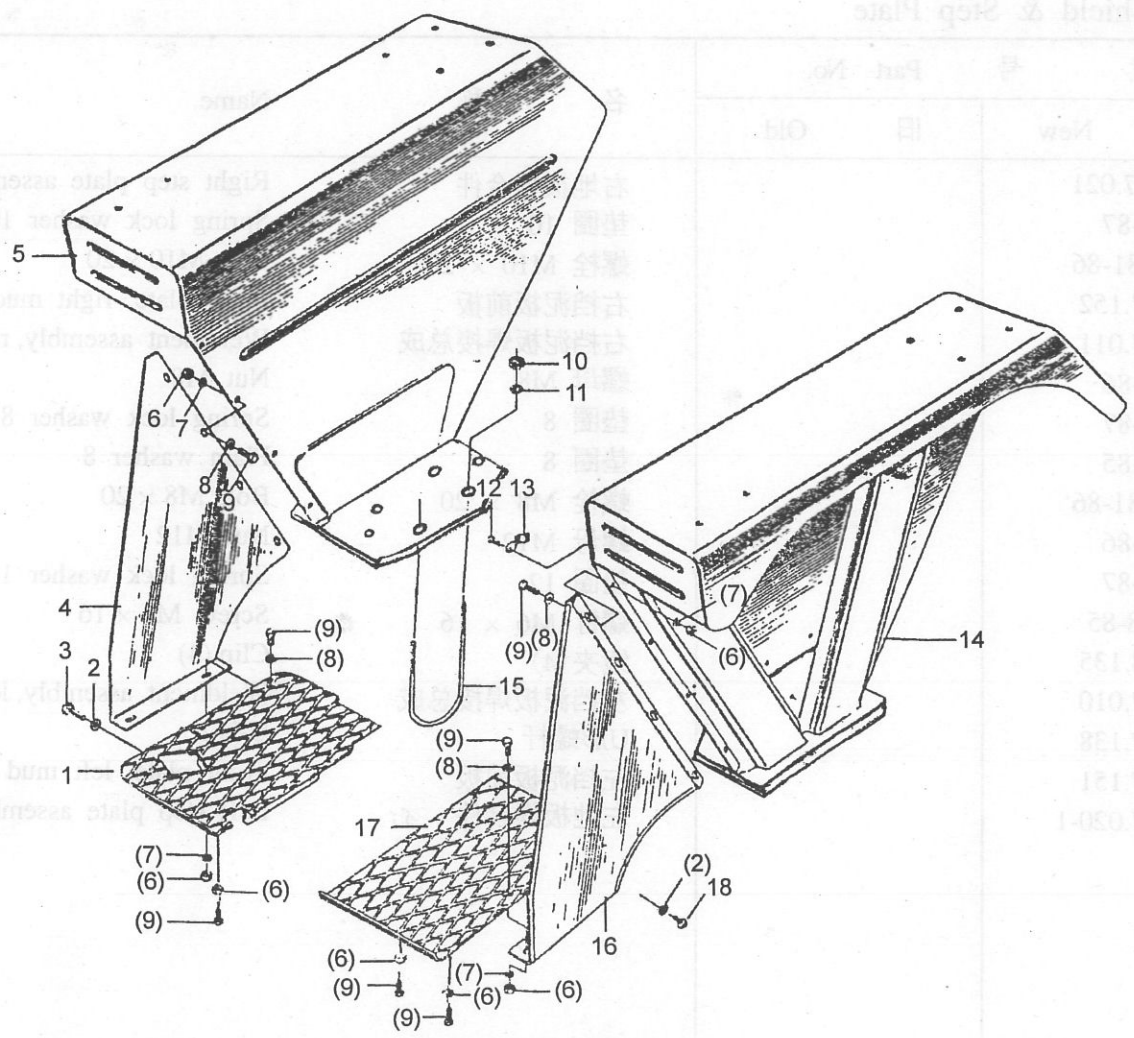


图18. 挡泥板及踏板

Fig.18. Mud Shield & Step Plate

18. 挡泥板及踏板

Mud Shield & Step Plate

序号 Ser. No.	代 号 Part No.		名 称 Name	数 量 Qty.	
	新 New	旧 Old			
1	224.47.021		右地板焊合件	Right step plate assembly	1
2	GB93-87		垫圈 10	Spring lock washer 10	4
3	GB5781-86		螺栓 M10 × 20	Bolt M10 × 20	4
4	224.47.152		右挡泥板前板	Front plate, right mud shield	1
5	224.47.011		右挡泥板焊接总成	Weldment assembly, right mud shield	1
6	GB41-86		螺母 M8	Nut M8	15
7	GB93-87		垫圈 8	Spring lock washer 8	12
8	GB95-85		垫圈 8	Plain washer 8	12
9	GB5781-86		螺栓 M8 × 20	Bolt M8 × 20	15
10	GB41-86		螺母 M12	Nut M12	8
11	GB93-87		垫圈 12	Spring lock washer 12	8
12	GB818-85		螺钉 M6 × 16	Screw M6 × 16	1
13	250.48.135		线夹(4)	Clip (4)	1
14	224.47.010		左挡泥板焊接总成	Weldment assembly, left mud shield	1
15	224.47.138		U形螺杆	U-bolt	4
16	224.47.151		左挡泥板前板	Front plate, left mud shield	1
17	220.47.020-1		左地板焊合件	Left step plate assembly	1

数量 Qty	零件号 Part No.	新 New	旧 Old	零件号 Part No.
1	22447.021			1
4	GB23-87			2
3	GB2781-86			3
1	22447.152			4
1	22447.010			5
12	GB41-86			6
12	GB92-85			7
12	GB92-85			8
15	GB2781-86			9
8	GB41-86			10
8	GB92-87			11
1	GB818-85			12
1	22048.152			13
4	22447.010			14
1	22047.138			15
1	22447.151			16
1	22447.020			17
1	GB2781-86			18

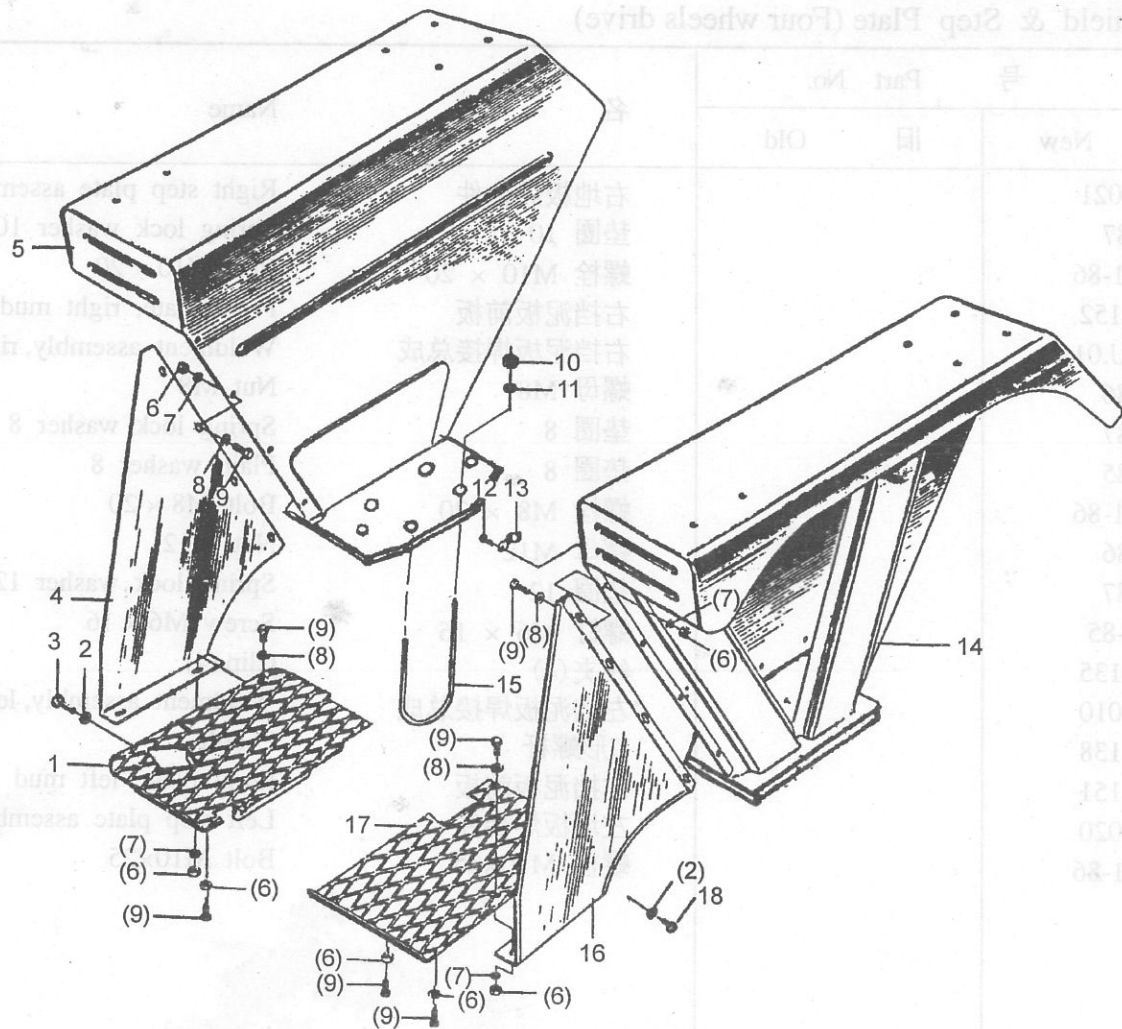


图19. 挡泥板及踏板(四轮驱动)

Fig.19. Mud Shield & Step Plate (Four wheels drive)

19. 挡泥板及踏板(四轮驱动)

Mud Shield & Step Plate (Four wheels drive)

序号 Ser. No.	代 号 Part No.		名 称 Name	数 量 Qty.	
	新 New	旧 Old			
1	224.47.021		右地板焊合件	Right step plate assembly	1
2	GB93-87		垫圈 10	Spring lock washer 10	4
3	GB5781-86		螺栓 M10 × 20	Bolt M10 × 20	3
4	224.47.152		右挡泥板前板	Front plate, right mud shield	1
5	224.47U.011		右挡泥板焊接总成	Weldment assembly, right mud shield	1
6	GB41-86		螺母 M8	Nut M8	15
7	GB93-87		垫圈 8	Spring lock washer 8	12
8	GB95-85		垫圈 8	Plain washer 8	12
9	GB5781-86		螺栓 M8 × 20	Bolt M8 × 20	15
10	GB41-86		螺母 M12	Nut M12	8
11	GB93-87		垫圈 12	Spring lock washer 12	8
12	GB818-85		螺钉 M6 × 16	Screw M6 × 16	1
13	250.48.135		线夹(4)	Clip (4)	1
14	224.47.010		左挡泥板焊接总成	Weldment assembly, left mud shield	1
15	220.47.138		U形螺杆	U-bolt	4
16	224.47.151		左挡泥板前板	Front plate, left mud shield	1
17	224.47.020		左地板焊合件	Left step plate assembly	1
18	GB5781-86		螺栓 M10×25	Bolt M10×25	1

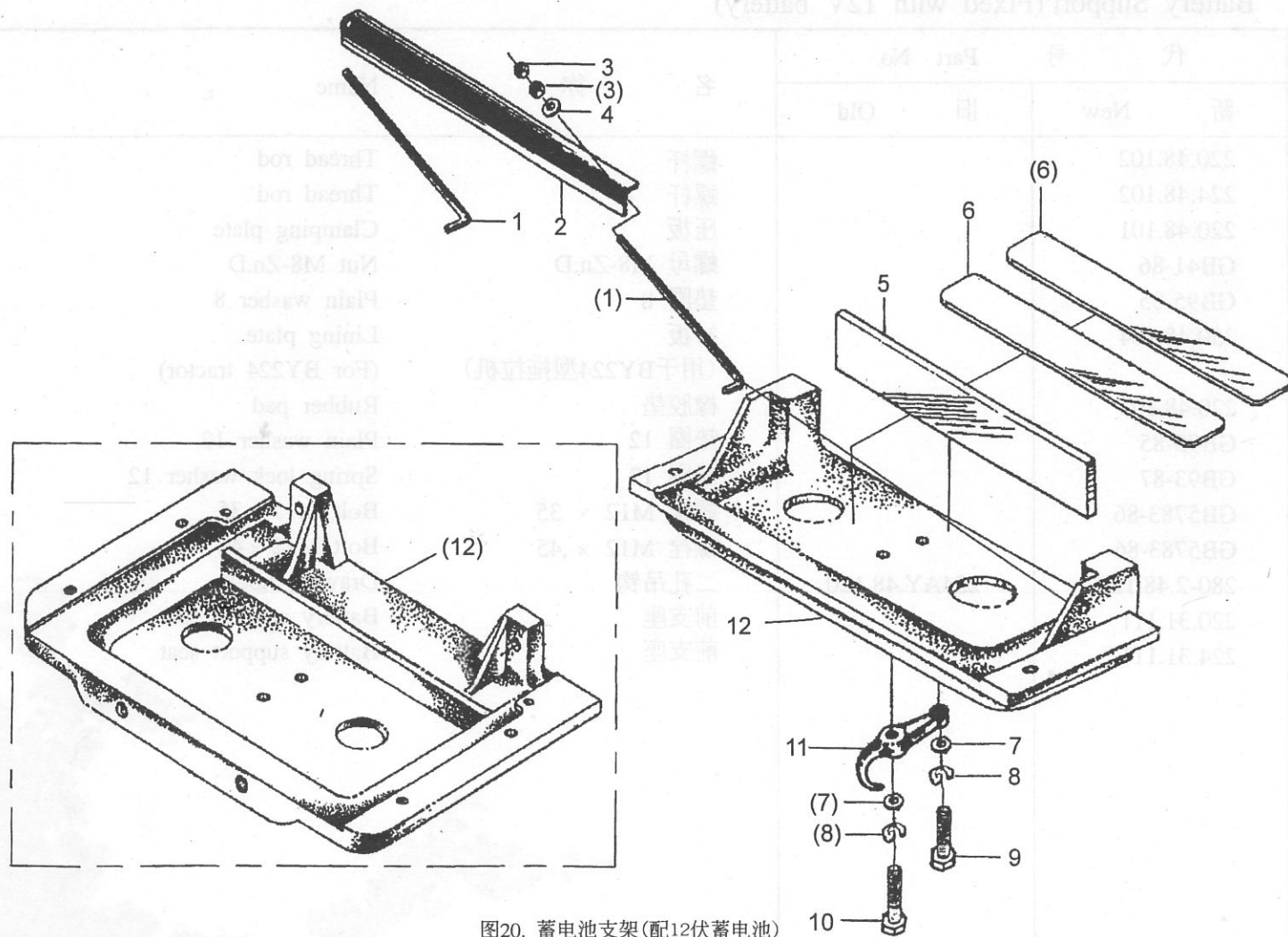


图20. 蓄电池支架(配12伏蓄电池)
 Fig.20. Battery Support (Fixed with 12V battery)

20. 蓄电池支架(配12伏蓄电池)

Battery Support (Fixed with 12V battery)

序号 Ser. No.	代 号 Part No.		名 称 Name	数 量 Qty.	
	新 New	旧 Old			
1	220.48.102		螺杆	Thread rod	2
	224.48.102		螺杆	Thread rod	2
2	220.48.101		压板	Clamping plate	1
3	GB41-86		螺母 M8-Zn.D	Nut M8-Zn.D	4
4	GB95-85		垫圈 8	Plain washer 8	2
5	250.48.104		衬板 (用于BY224型拖拉机)	Lining plate (For BY224 tractor)	1
6	220.48.103		橡胶垫	Rubber pad	2
7	GB95-85		垫圈 12	Plain washer 12	2
8	GB93-87		垫圈 12	Spring lock washer 12	2
9	GB5783-86		螺栓 M12 × 35	Bolt M12 × 35	1
10	GB5783-86		螺栓 M12 × 45	Bolt M12 × 45	1
11	280-2.48.120	254AY.48.120	二孔吊钩	Drawbar hook	1
12	220.31.111		前支座	Battery support seat	1
	224.31.111		前支座	Battery support seat	1

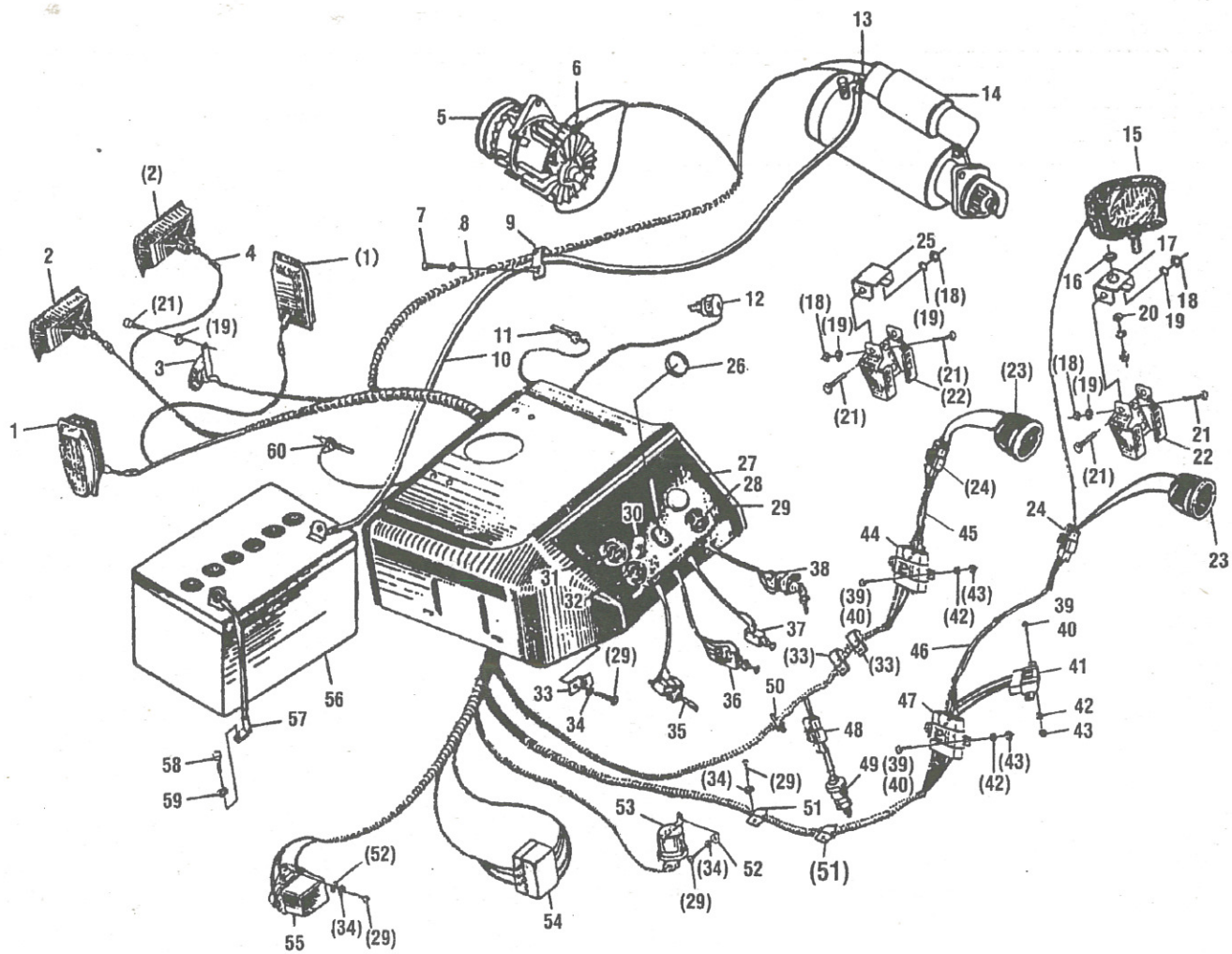


图21. 电器系统
Fig.21. Electrical System

21. 电器系统
Electrical System

序号 Ser. No.	代 号 Part No.		名 称 Name	数 量 Qty.
	新 New	旧 Old		
1	250.48.024		前小灯总成J107 12V	2
	GB818-85		螺钉 M4 × 14	4
	GB93-87		垫圈 4	4
	GB95-85		垫圈 4	4
2	250.48.023		前大灯总成ND140×90T-1 12V	2
	GB6170-86		螺母 M4	2
	GB93-87		垫圈 4	2
	GB95-85		垫圈 4	2
3	250.48.021		喇叭总成DL1290G	1
4	250.48.142		双插座绝缘套	4
5	220.48.033		交流发电机总成 JF121	1
6	250.48.141		小橡皮帽	3
7	GB5781-86		螺栓 M10 × 20	1
	GB93-87		垫圈 10	1
8	224.48.043		仪表盘线束总成	1
			instrumrnt panel	1
9	250.48.132		线夹(1)	1
10	224.48.046		蓄电池起动电缆总成	1
11	280.48.040	250A.48.040	温度表传感器303(CA10)	1
12	280.48.039	250A.48.039	机油压力表传感器303(CA10)	1
13	250.48.140		大橡皮帽	1
14	220.48.034		起动机总成 QD100C	1
15	250.48.025		后大灯总成 WD140×90T-1	1
			Tail large lamp assemblyWD140×90T-1	1

续21. 电器系统

Cont. Electrical System

序号 Ser. No.	代 号 Part No.		名 称 Name	数 量 Qty.	
	新 New	旧 Old			
16	250.48.139		大灯胶垫	Rubber pad, tail large lamp	1
17	280.48U.125	250A.48U.125	后大灯支座	Seat, tail large lamp	1
18	GB41-86		螺母 M8-Zn.D	Nut M8-Zn.D	12
19	GB93-87		垫圈 8	Spring lock washer 8	13
20	250.48.128		灯座垫套	Lamp socket liner	1
21	GB5781-86		螺栓 M8 × 16	Bolt M8 × 16	13
22	280.48U.126	250A.48U.126	后大灯左支架	Lamp seat (left), tail large lamp	2
	280.48U.127	250A.48U.127	后大灯右支架	Lamp seat (right), tail large lamp	2
23	280.48U.026	250A.48U.026	后灯总成NJ130双色刹车灯	Two colour brake lamp NJ130	2
24	DJ7031-6.3		三线插接器	3-wire connector	2
25	280.48U.180	250A.48U.180	右后灯支座	Seat (right), tail lamp	1
26	250.48.136		转向柱密封环	Seal ring, steering column	1
27	224.48.053		仪表盘总成	Instrument panel assembly	1
	224.48.054		仪表盘焊合件	Instrument panel weldment	1
	250.48.055		仪表盘焊合件	Instrument panel weldment	1
28	250.48.029		电流表总成 307C,-30~0~30A	Ammeter assembly 307C,-30~0~30A	1
	250.48.137		仪表垫圈(1)	Instrument washer (1)	3
29	GB818-85		螺钉 M6 × 12	Screw M6 × 12	14
30	250.48.028		仪表指示灯座总成	Instrument panel lamp seat assembly	1
31	280.48.030	250A.48U.030	温度表 CA10	Temperature gauge CA10	1
	250.48.138		仪表垫圈(2)	Instrument washer (2)	1
32	280.48.031		机油压力表 CA10	Oil pressure gauge CA10	1
33	250.48.134		线夹(3)	Clip (3)	3

续21. 电器系统

Cont. Electrical System

序号 Ser. No.	代 号 Part No.		名 称 Name	数 量 Qty.	
	新 New	旧 Old			
34	GB93-87		垫圈 6	Spring lock washer 6	15
35	250.48.019		转向灯开关总成 JK812-1	Turn signal lamp switch assembly JK812-1	2
36	250.48.017		三档开关总成 JK108	Triplethrow switch assembly JK108	1
37	250.48.018		单档开关总成 JK106	Singlethrow switch assembly JK106	1
38	250.48.016		预热起动开关总成 JK290A	Engine start preheating switch assembly JK290A	1
39	GB818-85		螺钉 M4 × 14	Screw M4 × 14	6
40	GB95-85		垫圈 4	Plain washer 4	6
41	DJ7042A-6.3-10		四线复合插头	4-wire composite connector	1
42	GB93-87		垫圈 4	Spring lock washer 4	6
43	GB6170-86		螺母 M4-Zn.D	Nut M4-Zn.D	6
44	DJ7042A-6.3		四线插接器	4-wire connector	1
45	224.48.045		右后灯线束总成	Wiring harness assembly, left tail lamp	1
46	224.48.044		左后灯线束总成	Wiring harness assembly, right tail lamp	1
47	DJ7068-6.3		六线插接器	6-wire connector	1
48	DJ7021-6.3		二线插接器	2-wire connector	1
49	350.48.020		制动灯开关总成 JK212J1	Stop lamp switch assembly JK212J1	1
50	350.48.160		线卡	Clip	1
51	250.48.135		线夹(4)	Clip (4)	3
52	GB95-85		垫圈 6	Plain washer 6	8
53	280.48U.022	250A.48U.022	闪光器总成 SG124C	Flasher assembly SG124C	1
54	250.48.015		熔断丝盒总成 BX505	Fuse block assembly BX505	13

续21. 电器系统

Cont. Electrical System

序号 Ser. No.	代 号 Part No.		名 称 Name	数 量 Qty.
	新 New	旧 Old		
55	250.48.014		电压调节器 FT111	1
	250.48C.014		电压调节器 JFT149	1
56	220.48.013		蓄电池总成 6-QA-80	1
57	220.48.047		蓄电池搭铁电缆总成	1
	224.48.047		蓄电池搭铁电缆总成	1
	GB5781-86		螺栓 M8 × 25	2
	GB41-86		螺母 M8	2
	GB93-87		垫圈 8	2
	GB95-85		垫圈 8	2
58	GB5781-86		螺栓 M10×20	1
59	GB93-87		垫圈 10	1
60	220.48.035		预热塞	1

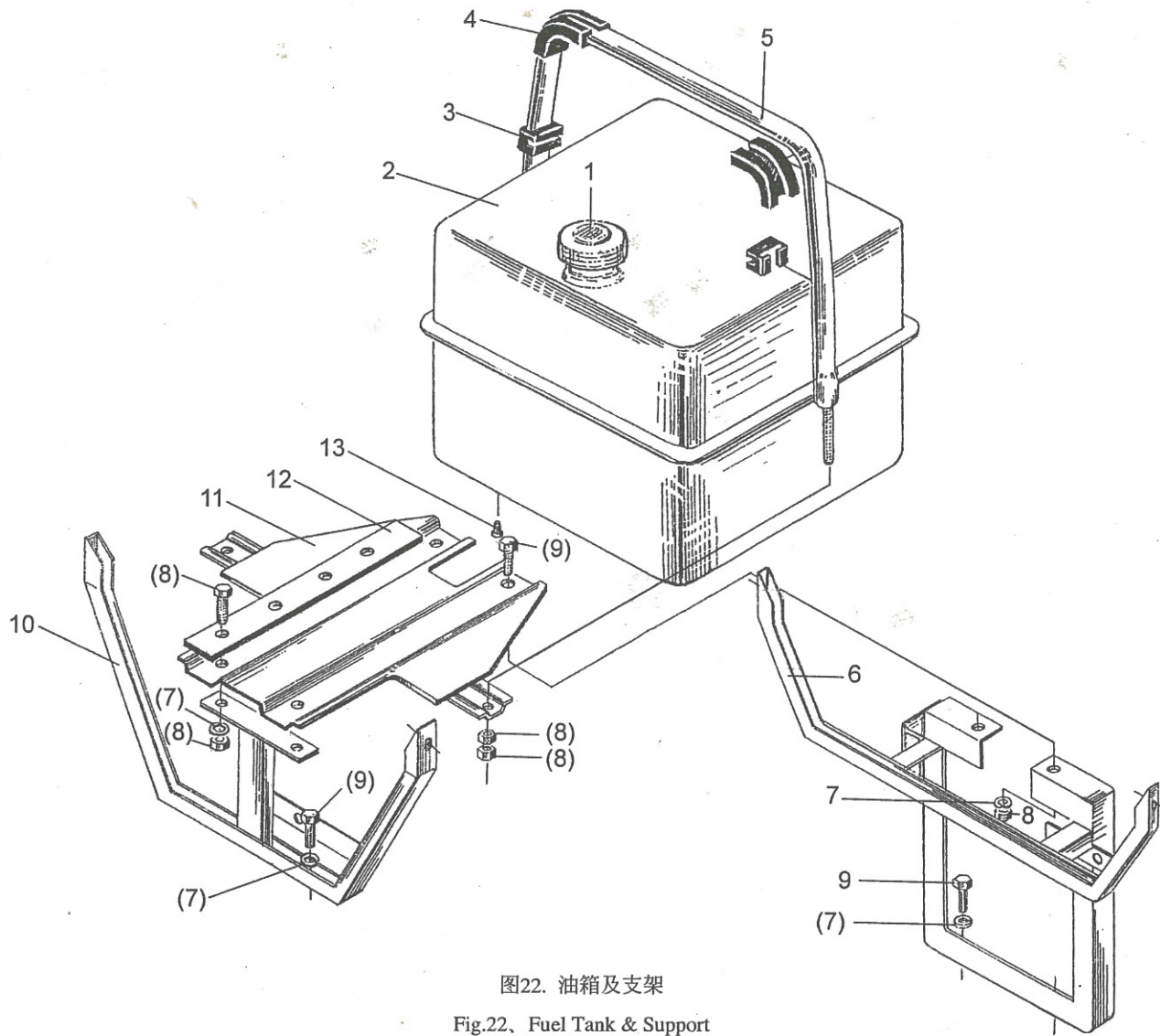


图22. 油箱及支架

Fig.22. Fuel Tank & Support

22. 油箱及支架

Fuel Tank & Support

序号 Ser. No.	代 号 Part No.		名 称 Name	数 量 Qty.	
	新 New	旧 Old			
1	220.50.015		油箱盖组件	Fuel tank cap assembly	1
	220.50.014		滤网组件	Screen, oil filler hole	1
2	220.50.011		油箱焊合总成	Fuel tank weldment assembly	1
3	220.50.156		钢带胶垫 I	Rubber pad I	2
4	220.50.157		钢带胶垫 II	Rubber pad II	2
5	220.50.013		钢带焊合件	Tank band	1
6	220.50.022		油箱后支架焊接总成	Weldment assembly, fuel tank rear support	1
7	GB93-87		垫圈 10	Spring lock washer 10	8
8	GB6170-86		螺母 M10	Nut M10	8
9	GB5783-86		螺栓 M10 × 20	Bolt M10×20	8
10	220.50.020		油箱前支架焊合总成	Weldment assembly, fuel tank support	1
11	220.50.012		油箱支承板焊合件	Weldment assembly, fuel tank support	1
12	220.50.103		油箱胶垫	Rubber pad	2
13	ZB32001.4-87		螺塞 Z1/4-18	Plug Z1/4-18	1

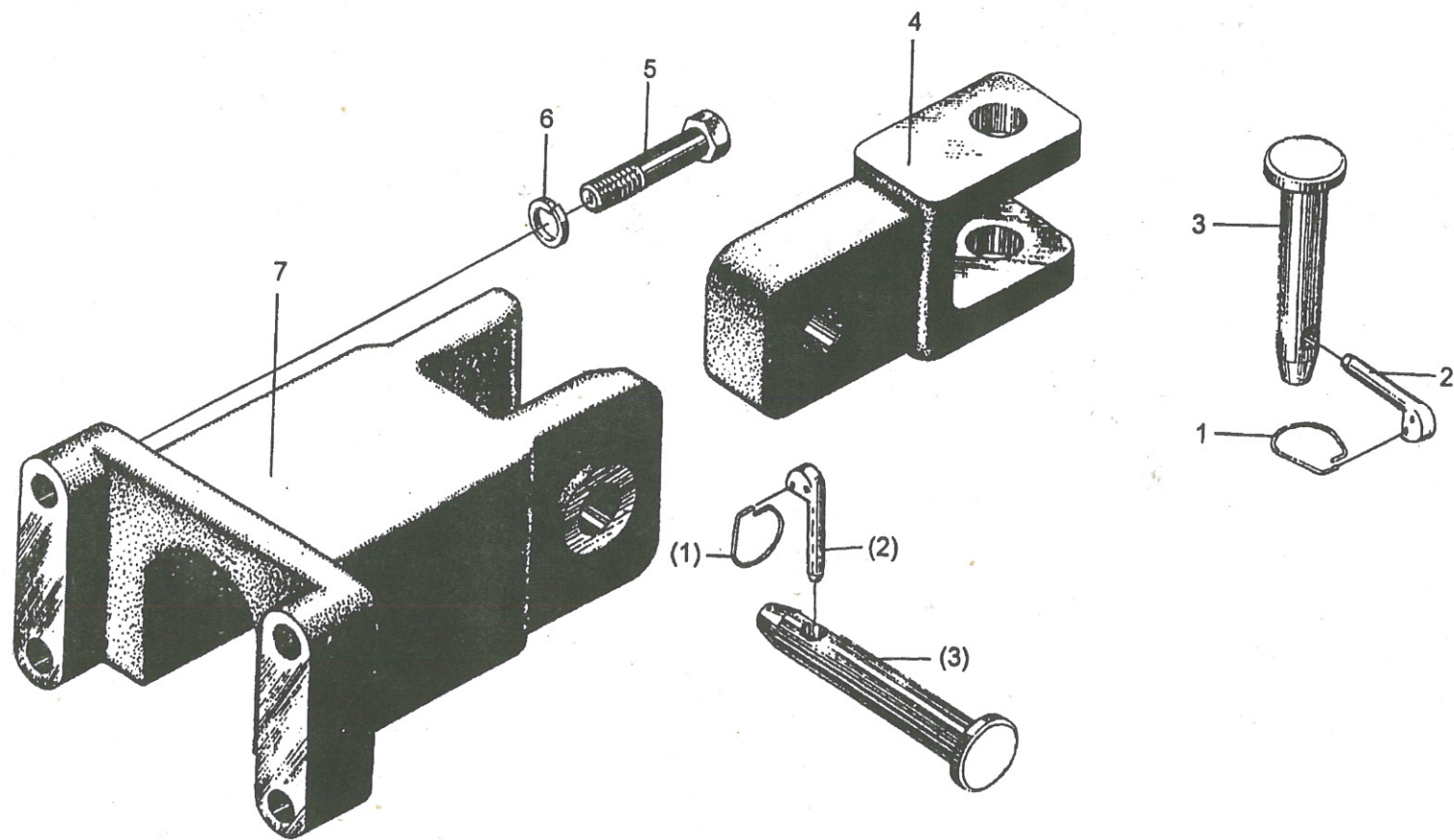


图23. 拖挂机构总成
Fig. 23. Drawbar Mechanism Assembly

23. 拖挂机构总成

Drawbar Mechanism Assembly

序号 Ser. No.	代号 Part No.		名称 Name	数量 Qty
	新 New	旧 Old		
1	250.56.120	18.56.120	锁销环 Ring	2
2	250.56.121	18.56.121	锁销 Locking Pin	2
3	220.53.103		销轴 Clevis pin with head	2
4	220.53.102		拖挂卡 Drawbar plate	1
5	GB5782-86		螺栓 M12×60-8.8 Bolt M12×60-8.8	4
6	GB93-87		垫圈 12 Washer 12	4
7	220.53.101		拖架 Drawbar frame	1

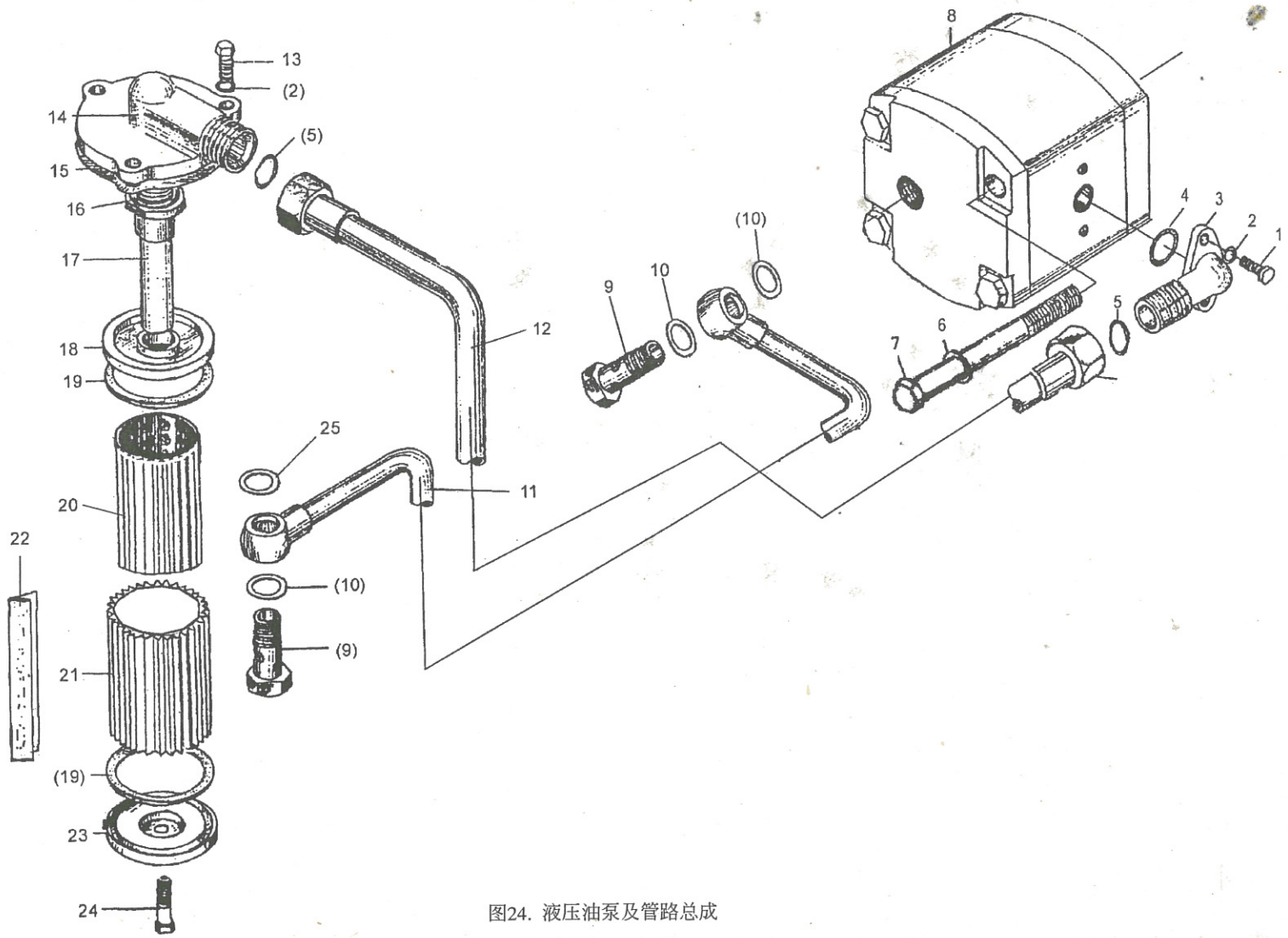


图24. 液压油泵及管路总成

Fig.24, Pump & Pipe

24. 液压油泵及管路总成
Pump & Pipe

序号 Ser. No.	代号 Part No.		名称 Name	数量 Qty.	
	新 New	旧 Old			
1	GB70-85		螺钉 M8 × 25	Bolt M8 × 25	2
2	GB93-87		垫圈 8	Washer 8	5
3	304-16.62.101		前置泵低压接头	Inlet connector, front pump	1
4	GB1235-76		O形密封圈 25 × 2.4	O-ring 25×2.4	1
5	GB1235-76		O形密封圈 20 × 2.4	O-ring 20×2.4	2
6	GB93-87		垫圈 10	Washer 10	2
7	GB5782-86		螺栓 M10 × 100	Bolt M10×100	2
8	CBN-E306L-X1		齿轮泵	Gear pump	1
9	304-2.62T.101		转向器进油管螺钉	Inlet pipe screw, power steering	2
10	304-2.62T.102		铜垫圈 18	Copper washer 18	3
11	220.54.011		进油管总成	Inlet pipe	1
12	220.54.012		出油管总成	Delivery pipe	1
13	GB5781-86		螺栓 M8×25	Bolt M8×25	3
14	220.54.103		滤油器盖	Cover	1
15	220.54.104		纸垫	Gasket	1
16	220.54.105		铜垫圈 22	Copper washer 22	1
17	220.54.021		滤油接管焊接总成	Weldment assembly, screen oil pipe	1
18	220.54.215		滤油器上端盖	Upper cover	1
19	220.54.212		密封垫圈	Sealing washer	2
20	220.54.219		滤芯骨架	Screen core support	1
21	220.54.218		滤网	Screen	1
22	220.54.220		滤网压合条	Screen fixed plate	1
23	220.54.214		滤油器下端盖	Under cover	1

续24. 液压油泵及管路总成

Cont. Pump & Pipe

序号 Ser. No.	代 号 Part No.		名 称 Name	数 量 Qty.	
	新 New	旧 Old			
24	GB5781-86		螺栓 M6 × 12-Zn.D	Bolt M6 × 12-Zn.D	1
25	GB1235-76		O形密封圈 22 × 2.4	O-ring 22 × 2.4	1

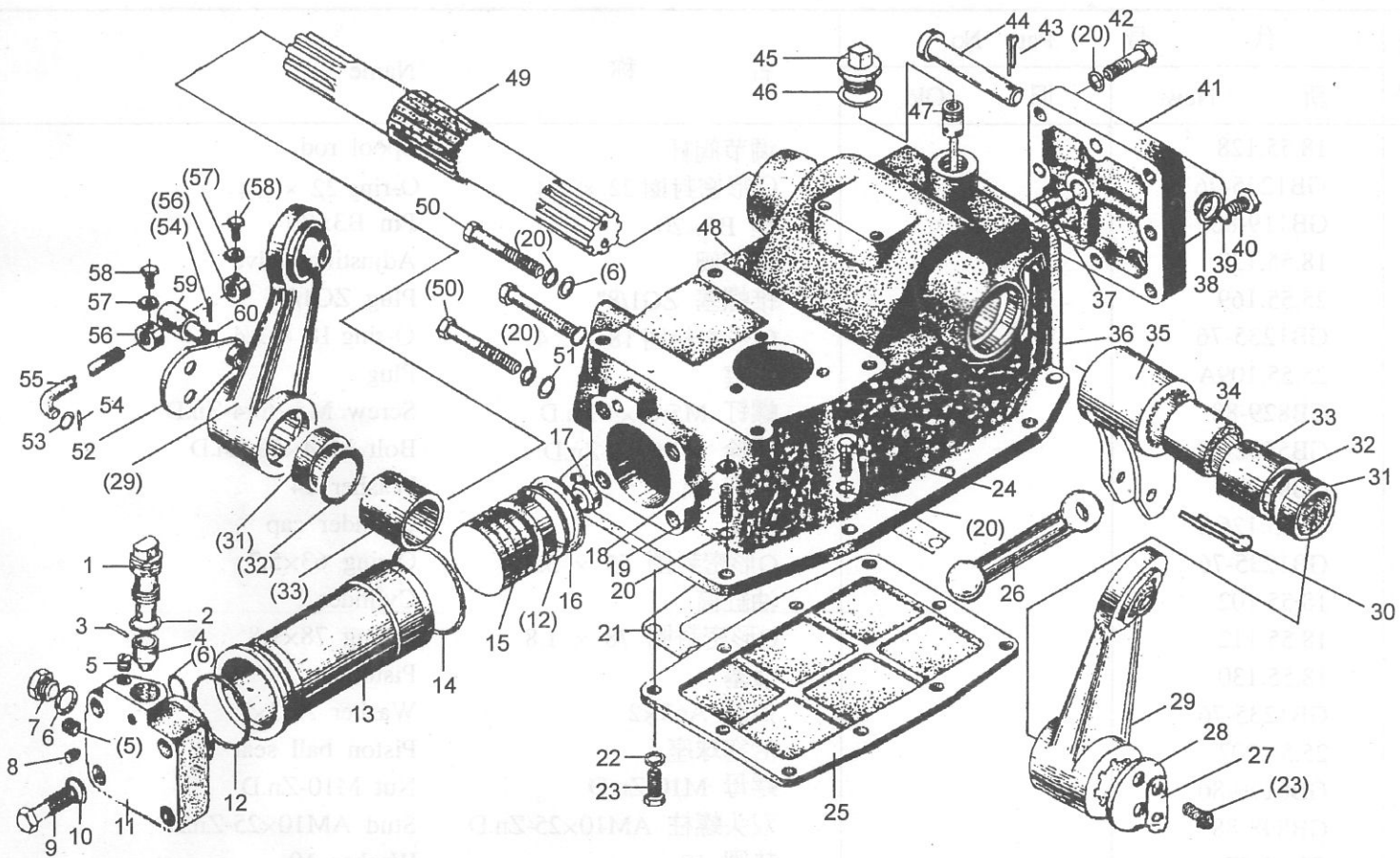


图25. 提升器总成

Fig.25. Hydraulic Power Lift

25. 提升器总成
Hydraulic Power Lift

序号 Ser. No.	代 号 Part No.		名 称 Name	数 量 Qty.	
	新 New	旧 Old			
1	18.55.128		调节阀杆	Spool rod	1
2	GB1235-76		O形密封圈 22 × 2.4	O-ring 22 × 2.4	1
3	GB119-86		销 B3×20	Pin B3×20	1
4	18.55.129		调节阀	Adjusting valve	1
5	25.55.169		锥螺塞 ZG1/8"	Plug ZG1/8"	2
6	GB1235-76		O形密封圈 18 × 2.4	O-ring 18 × 2.4	3
7	25.55.109A		螺塞	Plug	1
8	GB829-88		螺钉 M5×6×4-Zn.D	Screw M5×6×4-Zn.D	1
9	GB5782-86		螺栓 M14×50-Zn.D	Bolt M14×50-Zn.D	4
10	GB93-87		垫圈 14	Washer 14	4
11	18.55.126A		缸头	Cylinder cap	1
12	GB1235-76		O形密封圈 63 × 5.7	O-ring 63×5.7	2
13	18.55.102		油缸筒	Cylinder	1
14	18.55.112		O形密封圈 78 × 1.8	O-ring 78×1.8	1
15	18.55.130		活塞	Piston	1
16	GB1235-76		挡圈 A63×2	Washer A63×2	1
17	25.55.207		活塞球座	Piston ball seat	1
18	GB6170-86		螺母 M10-Zn.D	Nut M10-Zn.D	4
19	GB898-88		双头螺柱 AM10×25-Zn.D	Stud AM10×25-Zn.D	4
20	GB93-87		垫圈 10	Washer 10	21
21	18.55.116		底板纸垫	Gasket	1
22	GB5783-86		螺栓 M10×30-Zn.D	Bolt M10×30-Zn.D	6
23	GB93-87		垫圈 8	Washer 8	10

续25. 提升器总成

Cont. Hydraulic Power Lift

序号 Ser. No.	代 号 Part No.		名 称 Name	数 量 Qty.	
	新 New	旧 Old			
24	GB5783-86		螺栓 M10 × 20	Bolt M8×20	14
25	18.55.115		提升器壳体底板	Bottom cover	1
26	18.55.132		顶杆	Piston rod	1
27	18.55.111		止动垫片	Washer	2
28	18.55.109		提升轴压板	Plate	1
29	18.55.013-1		提升臂总成	Lift arm assembly	2
30	GB91-86		开口销 5×50	Pin 5×50	1
31	18.55.106-1		轴套	Bush	2
32	18.55.102		O形密封圈 52 × 5.7	O-ring 52×5.7	2
33	18.55.105		轴套	Bush	2
34	18.55.113		轴套	Bush	1
35	18.55.133-1		内提升臂	Inner arm	1
36	18.55.159		后端盖纸垫	Gasket	1
37	18.55.141		限位销	Stop pin	1
38	GB97.1-85		垫圈 20	Washer 20	1
39	GB1235-76		O形密封圈 12 × 1.9	O-ring 12 × 1.9	1
40	18.55.108		放油塞	Drain plug	1
41	18.55.140		后端盖	Rear cover	1
42	GB5783-86		螺栓 M10×40	Bolt M10×40	8
43	GB91-86		开口销 4×26	Pin 4×26	1
44	18.55.107		上拉杆前连接销	Link pin	1
45	25.55.248		加油盖体	Filler plug	1
46	18.55.104		垫片	Washer	1

续25. 提升器总成

Cont. Hydraulic Power Lift Assembly

序号 Ser. No.	代 号 Part No.		名 称 Name	数 量 Qty.
	新 New	旧 Old		
47	18.55.021		量油尺总成 Dipstick	1
48	18.55.101-1		提升器壳体 Housing, hyddraulic power lift	1
49	18.55.103-1		提升轴 Shaft	1
50	GB5782-86		螺栓 M10 × 75 Bolt M10×75	3
51	GB1235-76		O形密封圈 24 × 2.4 O-ring 24 × 2.4	1
52	18.55.145		回位挡板 Plate	1
53	GB91-86		开口销 2×20 Pin 2×20	2
54	GB97.1-85		垫圈 8 Washer 8	1
55	14.55.108		提升调节杆 Push rod	1
56	18.55.110		挡块 Locating lump	2
57	GB6170-86		螺母 M6 Nut M6	2
58	GB5783-86		螺栓 M6 × 20 Bolt M6×20	2
59	14.55.107		限位销轴 Stop pin	1
60	GB97.1-85		垫圈 12 Washer 12	1

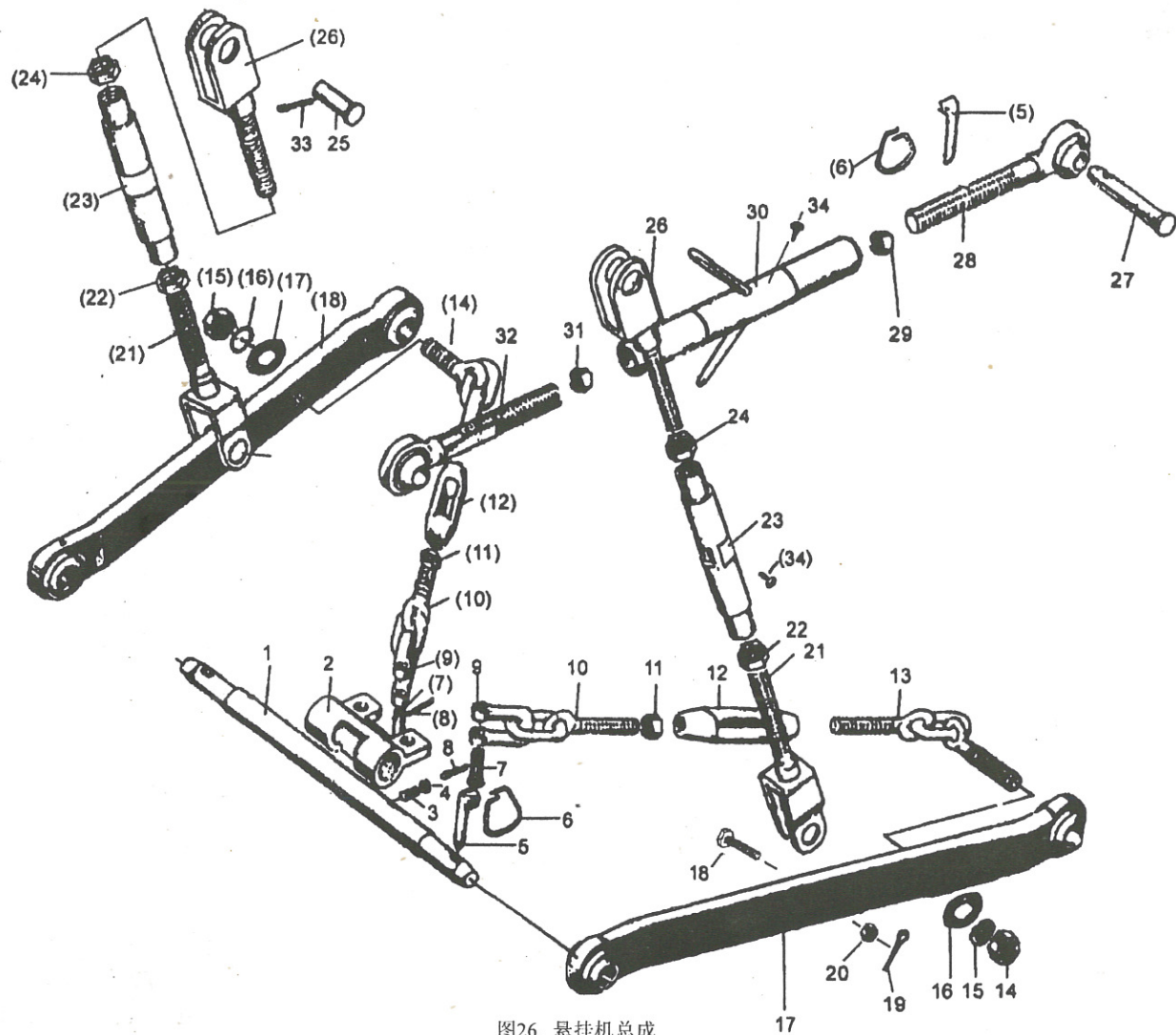


图26. 悬挂机总成
Fig. 26. Suspension Mechanism Assembly

26. 悬挂机构总成
Suspension Mechanism

序号 Ser. No.	代号 Part No.		名称 Name	数量 Qty	
	新 New	旧 Old			
1	220.56.101		下拉杆固定轴	Shaft	1
2	220.56.103		限位链摆动板	Plate	1
3	220.56.104		止动螺钉	Stop screw	1
4	GB6170-86		螺母 M12-Zn.D	Nut M12-Zn.D	1
5	250.56.121		锁销	Stop pin	5
6	250.56.120		锁销环	Ring	5
7	GB882-86		销轴 B10×40-Zn.D	Axis pin B10×40-Zn.D	2
8	GB91-86		开口销 3.2×16	Pin 3.2×16	2
9	250.56.142		U型卡	Connenting ring	2
10	220.56.032		前调节链环焊合件	Adjusting link	2
11	GB6170-86		螺母 M14-Zn.D	Nut M14-Zn.D	2
12	220.56.133		调节套	Adjusting sleeve	2
13	220.56.033		后调节链环焊合件	Rear adjusting chain	2
14	GB6170-86		螺母 M16-Zn.D	Nut M16-Zn.D	2
15	Gb93-87		垫圈 16	Washer 16	2
16	220.56.134		大垫圈	Big washer	2
17	220.56.028		下拉杆总成	Lower link	2
18	250.56.304		斜拉杆、下拉杆连接螺钉	Connecting screw, lift link and lower link	2
19	GB91-86		开口销 4×20	Pin 4×20	2
20	GB6179-86		螺母 M16-Zn.D	Nut M16-Zn.D	2
21	250.56.027		斜拉杆下端焊接总成	Lower end assembly, lift link	2
22	GB6171-86		螺母 M18×1.5-左-Zn.D	Nut M18×1.5-lift -Zn.D	2
23	250.56.105		斜拉杆螺管	Thread pipe	2

续26. 悬挂机构总成

Cont. Suspension Mechanism

序号 Ser. No.	代 号 Part No.		名 称 Name	数 量 Qty	
	新 New	旧 Old			
24	GB6171-86		螺母 M18×1.5-Zn.D	Nut M18×1.5-Zn.D	2
25	250.56.102		斜拉杆连接销	Connecting pin, lift link	2
26	250.56.113		斜拉杆上调节杆	Adjusting upper link	2
27	250.45.127		上拉杆后连接销	Pin	1
28	250.56.020		上拉杆后调节杆总成	Rear adjusting rod	1
29	GB6170-86		螺母 M22-左	Nut M22-lift	1
30	250.56.022		上拉杆调节螺管焊合作	Thread pipe	1
31	GB6170-86		螺母 M22	Nut M22	1
32	250.56.021		上拉杆前调节杆总成	Front adjusting rod	1
33	GB91-86		开口销 4×36	Pin 4×36	2
34	GB1152-89		油杯 M6	Oil cup M6	3

27. 分配器总成
Valve

序号 Ser. No.	代 号 Part No.		名 称 Name	数 量 Qty.	
	新 New	旧 Old			
1	18FP.57.110		压紧螺栓	Plug	1
2	18FP.57.111		调整垫片	Adjusting shim	△
3	GB1235-76		O形密封圈 20 × 2.4	O-ring 20 × 2.4	1
4	18FP.57.112		安全阀弹簧	Spring	1
5	18FP.57.119		安全阀阀芯	Relief valve	1
6	18FP.57.101		安全阀阀座	Valve seat	1
7	GB1235-76		O形密封圈 14 × 2.4	O-ring 14 × 2.4	2
8	18FP.57.102		前盖	Front cover	1
9	GB5781-86		螺栓 M5×16-Zn.D	Bolt M5×16-Zn.D	4
10	GB93-87		垫圈 5	Washer 5	4
11	18FP.57.103		前盖纸垫	Gasket	1
12	18FP.57.104		分配器壳体	Valve body	1
13	25.55.169		锥螺塞	Bevel plug	1
14	18FP.57.113		滑阀	Sliding valve	1
15	18FP.57.115		弹簧挡片	Stop plate	1
16	18FP.57.114		滑阀回位弹簧	Spring	1
17	GB97.1		垫圈 14	Washer 14	2
18	GB894.1-86		挡圈 15	Circlip 15	1
19	18FP.57.106		挡板	Plate	1
20	18FP.57.107		后盖纸垫	Gasket	2
21	GB308-84		钢球 5.0000G10.b	Ball 5.0000G10.b	1
22	14FP.57.118		定位弹簧座	Spring seat	1
23	14FP.57.119		定位弹簧	Spring	1

△ 适量 Just right amount

续27. 分配器总成
Cont. Valve

序号 Ser. No.	代 号 Part No.		名 称 Name	数 量 Qty.
	新 New	旧 Old		
24	14FP.57.121		垫片 Washer	1
25	14FP.57.120		螺堵 Plug	1
26	GB5780-86		螺栓 M6×55-Zn.D Bolt M6×55-Zn.D	4
27	GB93-87		垫圈 6 Washer 6	6
28	18FP.57.011		手柄总成 Handle	1
29	14FP.57.105		拔销 Pin	1
30	18FP.57.108		后盖 Rear cover	1
31	GB894.1-86		挡圈 4 Circlip 4	1
32	14FP.57.104		定位块 Locating lump	1
33	18FP.57.109		手柄轴 Shaft	1
34	GB5781-86		螺栓 M6×12-Zn.D Bolt M6×12-Zn.D	2

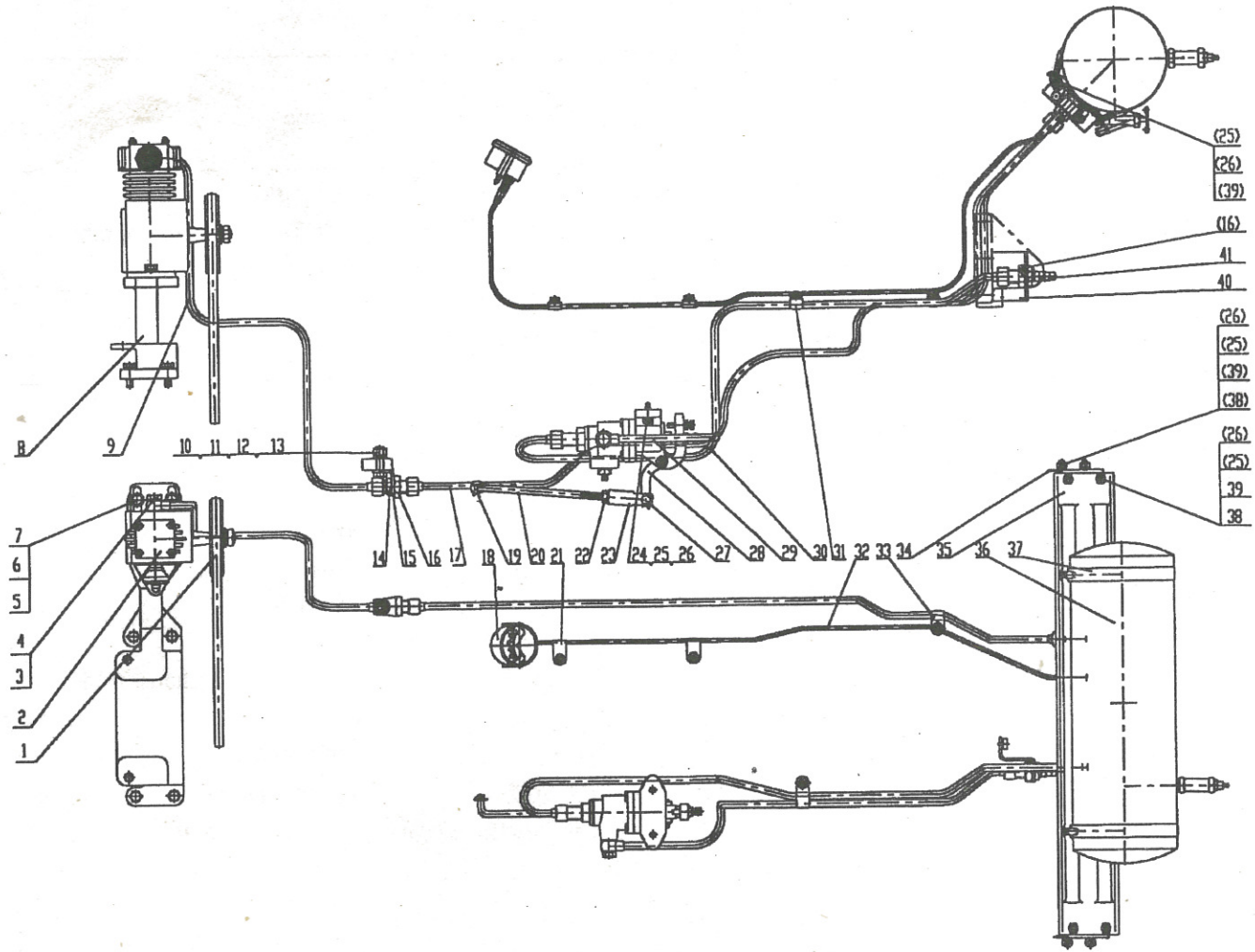


图28. 气制动总成

Fig.28. Air Brake Assembly

28. 气制动装置总成

Air Brake Assembly

序号 Ser. No.	代 号 Part No.		名 称 Name	数 量 Qty.	
	新 New	旧 Old			
1			三角皮带 A940	Triangle strap A940	1
2	220.80.010		空气压缩机总成	Air compressor assembly	1
3	350.80.108		螺钉	Screw	2
4	350.80.109		铜垫圈	Copper washer	4
5	GB5781-86		螺栓M10×30	Bolt M10×30	7
6	GB93-87		垫圈 10	Washer 10	7
7	GB95-85		垫圈 10	Washer 10	7
8	220.80.101		气泵支座	Compressor bracket	4
9	220.80.021		压缩机输出气管总成	Compressor exhaust pipe assembly	1
10	GB5781-86		螺栓 M12×40	Bolt M12×40	1
11	GB6170-86		螺母 M12	Nut M12	1
12	GB93-87		垫圈 12	Washer 12	1
13	GB95-85		垫圈 12	Washer 12	1
14	280.80.110		压缩机输出管中间接头	Compressor exhaust middle pipe joint	1
15	220.80.151		压缩机输出管支架	Compressor exhaust pipe bracket	1
16	GB6173-86		螺母 M20×1.5	Nut M20×1.5	2
17	220.80.022		储气筒进气管总成	Air container intake pipe assembly	1
	220.80S.022		储气管进气管总成(配山东机罩)	Air container intake pipe assembly	1
18	280.80.014		压力表总成	Pressure cabin assembly	1
19	GB91-86		开口销 3.2×16	Split pin 3.2×16	2
20	220.80.117		刹车阀拉杆	Brake valve pull rod	1
21	280.80.116		管夹(二)	Pipe clamp (NO.2)	2
22	GB6170-86		螺母 M10	Nut M10	1

续28. 气制动装置总成

Cont. Air Brake Assembly

序号 Ser. No.	代 号 Part No.		名 称 Name	数 量 Qty.	
	新 New	旧 Old			
23	150.37.107		离合器推杆调整叉	Adjusting fork, clutch push rod	1
24	GB5781-86		螺栓M8×25	Bolt M8×25	14
25	GB93-87		垫圈 8	Washer 8	15
26	GB95-85		垫圈 8	Washer 8	1
27	GB882-86		销轴 B8×30	Clevis pin B8×30	1
28	280.80S.016		刹车阀总成	Brake valve assembly	1
29	220.80.024		刹车阀输出气管总成	Brake valve exhaust pipe assembly	1
30	220.80S.024		刹车阀输出气管总成(配山东机罩)	Brake valve exhaust pipe assembly	1
	220.80.023		储气筒输出气管总成	Air container exhaust pipe assembly	1
31	220.80S.023		储气筒输出气管总成(配山东机罩)	Air container exhaust pipe assembly	1
	220.80.114		管夹(三)	Pipe clamp (NO. 3)	1
32	280.80.013		压力表输气管总成	Pressure cabin pipe assembly	1
33	280.80.115		管夹(一)	Pipe clamp (NO.1)	1
34	220.80.120		储气筒支架连接板	Air container bracket connect board	2
	220.80S.120		储气筒支架连接板(配山东机罩)	Air container bracket connect board	2
35	220.80.119		储气筒支架	Air container bracket	1
36	220.80.012		储气筒总成	Air container aassembly	1
37	220.80.015		钢带焊合件	Metal band joining	2
38	GB5781-86		螺栓 M8×16	Bolt M8×16	8
39	GB6170-86		螺母 M8	Nut M8	12
40	220.80.320		后输出管支架	End exhaust pipe bracket	1
41	280.82S.155		出气管接头	Exhaust pipe joint	1



ADD.: 81 SOUTH DAQING ROAD NINGBO
ZHEJIANG PROVINCE, CHINA
TEL.: 86-0574-7356557
FAX.: 86-0574-7356384, 7356557
POSTCODE: 315020

地址: 浙江省宁波市大庆南路81号
电话: (0574) 7356557 总机
电挂: 2384 邮编: 315020
传真: 0574-7356384 7356557